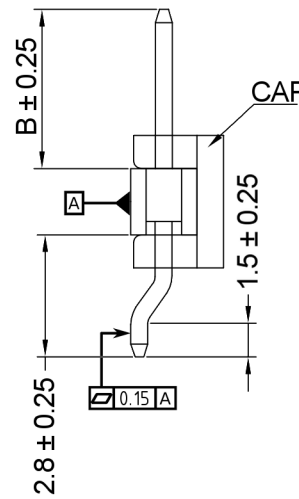
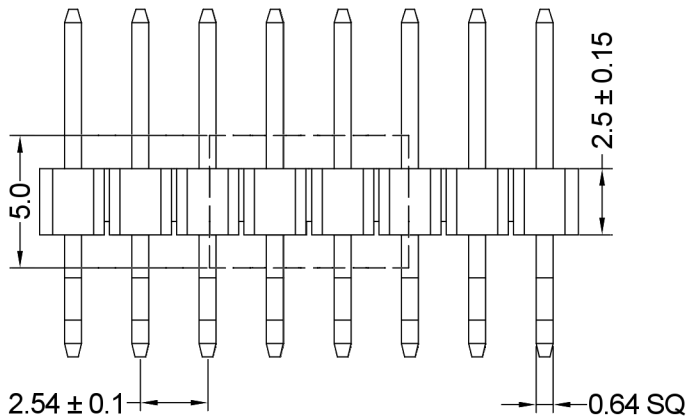
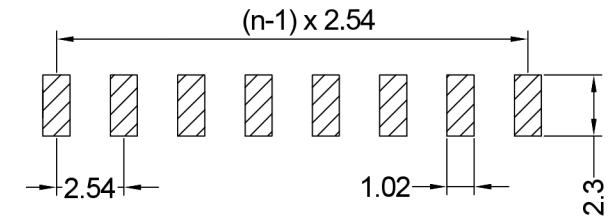


Insulator	Thermoplastic, rated UL94 V-0
Contact Material	Copper alloy
Contact Surface	Au over Ni
Contact Resistance	20 mΩ max.
Insulation Resistance	1000 MΩ min.
Test Voltage	1000 V AC/DC
Current Rating	3 A
Temperature Range	-40 °C ~ +105 °C
Processing Temperature	230 °C for 30~60 seconds (260 °C for 10 seconds)



Recommended P.C.B Layout (Top Side)  
(PCB BOARD TOLERANCE ± 0.05)



**Series** **46-3931** — **Dimensions \*** **11** — **Contacts \*** **008** — **Plating** **00** — **Packaging \*** **PPST**

- 95 B=4,00mm
- 11 B=5,30mm
- 12 B=5,80mm
- 13 B=7,10mm
- 14 B=8,40mm

**002-020** Einreihig  
Single row

**00** Vergoldet  
Gold plated

**ST** In Stangen ohne Pick&Place-Pads / In tubes w/o Pick&Place-Pads  
**PPST** In Stangen mit P&P-Pads / In tubes with P&P-Pads  
**PPTR** Tape & Reel mit P&P-Pads / Tape & Reel with P&P-Pads

X.X	±0.30
X.XX	±0.20
X.XXX	±0.10
Angle	±3°
DIM	TOL

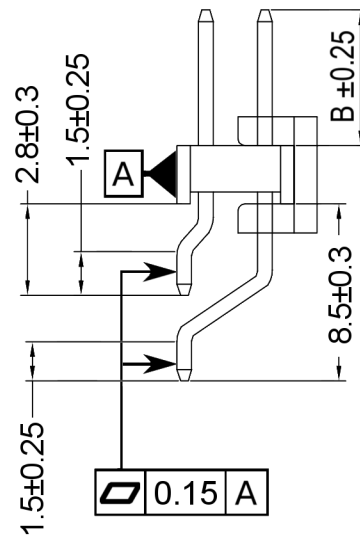
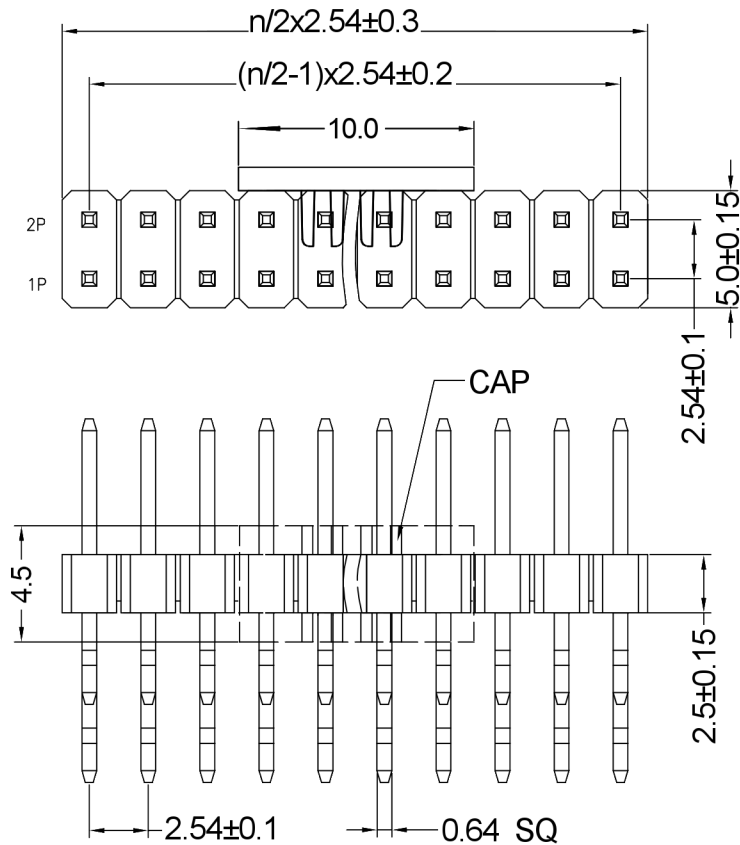


Serial Number <b>46-3931</b>			
Part Name SMT Pin Header, 2.54mm Pitch, Horizontal, Single Row; Au			
Creation date 2019-07-09	Drawn AL	Approved PS	Approval date 2021-12-07
REACH (EG) Nr. 1907/2006 RoHS 2011/65/EU compliant		Scale %	Sheet

On release of the data sheet, previous releases are no longer valid. Dimensions and drawings are subject to change.

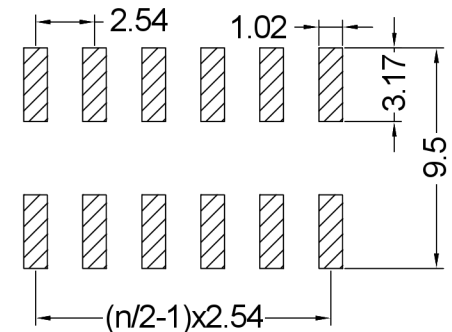
Copying of this document, and giving it to others and the use or communication of the contents thereof, are forbidden without express authority. Offenders are liable to the registration of a utility model or design.

On release of the data sheet, previous releases are no longer valid. Dimensions and tolerances are subject to change.



Insulator	Thermoplastic, rated UL94 V-0
Contact Material	Copper alloy
Contact Surface	Au over Ni
Contact Resistance	20 mΩ max.
Insulation Resistance	1000 MΩ min.
Test Voltage	1000 V AC/DC
Current Rating	3 A
Temperature Range	-40 °C ... +105 °C
Processing Temperature	230 °C for 30-60 seconds (260 °C for 10 seconds)

Recommended P.C.B Layout (Top Side)  
(PCB BOARD TOLERANCE ±0.05)



**Series** 46-3932 | **Dimensions\*** 11 | **Contacts\*** 008 | **Plating** 00 | **Packaging\*** PPST

95 B=4,00mm  
11 B=5,30mm  
12 B=5,80mm  
13 B=7,10mm  
14 B=8,40mm

004-060 Zweireihig / Double row | 00 Vergoldet / Gold plated

ST In Stangen ohne Pick&Place-Pads / In tubes w/o Pick&Place-Pads  
PPST In Stangen mit P&P-Pads / In tubes with P&P-Pads  
PPTR Tape & Reel mit P&P-Pads / Tape & Reel with P&P-Pads

X.X	±0.30
X.XX	±0.20
X.XXX	±0.10
Angle	±3°
DIM	TOL



Serial Number <b>46-3932</b>			
Part Name SMT Pin Header, 2.54mm Pitch, Horizontal, Double Row			
Creation date 2021-05-10	Drawn AL	Approved PS	Approval date 2021-05-10
REACH (EG) Nr. 1907/2006 RoHS 2011/65/EU compliant		Scale %	Sheet

Andere Kontaktzahlen auf Anfrage / Other numbers of contacts on request

Copying of this document, and giving it to others and the use or communication of the contents thereof, are forbidden without express authority. Offenders are liable to the registration of a utility model or design.