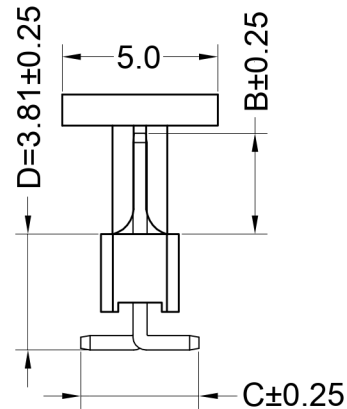
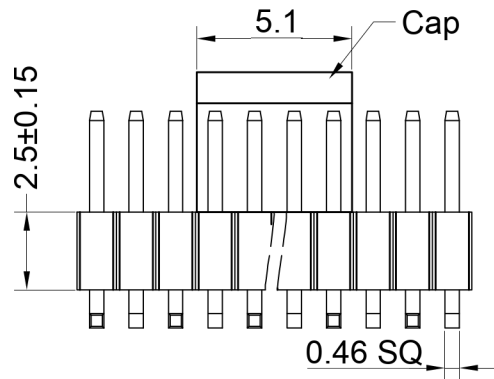
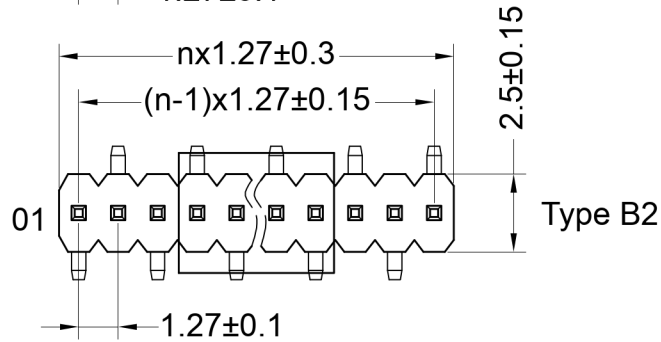
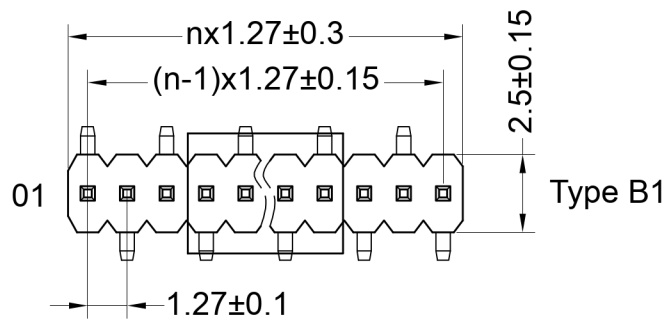
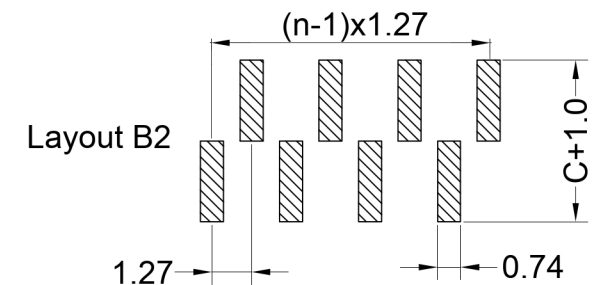
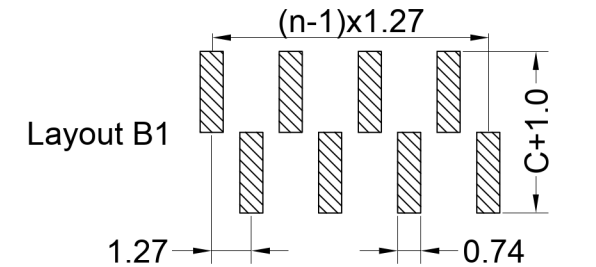


On release of the data sheet, previous releases are no longer valid. Dimensions and tolerances are subject to change.



Insulator	Thermoplastic, rated UL94 V-0
Contact Material	Copper alloy
Contact Surface	Au over Ni
Contact Resistance	20 mΩ max.
Insulation Resistance	1000 MΩ min.
Test Voltage	500 V AC/DC
Current Rating	1 A
Temperature Range	-40 °C ... +105 °C
Processing Temperature	230 °C for 30-60 seconds (260 °C for 10 seconds)

Recommended P.C.B Layout (Top Side)
(PCB BOARD TOLERANCE ±0.05)



Series	Contacts*	Layout*	Dimensions*	Plating	Packaging*
46-7060	014 003-030 Einreihig Single row	11 11 Einreihig B1 Single row B1 12 Einreihig B2 Single row B2	10 10 B=2,80 C=5,08mm 20 B=6,00 C=5,08mm 99 Kundenspezifisch Customer-specific	00 00 Vergoldet Gold plated	ST ST PPST PPTR

X.X	±0.30
X.XX	±0.20
X.XXX	±0.10
Angle	±3°
DIM	TOL



Serial Number 46-7060			
Part Name SMT Pin Header, 1.27mm Pitch, Vertical, Single Row 0.46mm Square Pin			
Creation date 2020-07-27	Drawn AL	Approved PS	Approval date 2020-07-27
REACH (EG) Nr. 1907/2006 RoHS 2011/65/EU compliant		Scale %	Sheet 1 / 1

Copying of this document, and giving it to others and the use or communication of the contents thereof, are forbidden without express authority. Offenders are liable to the payment of damages. The copyright owner reserves the right to change the design or the registration of a utility model or design.