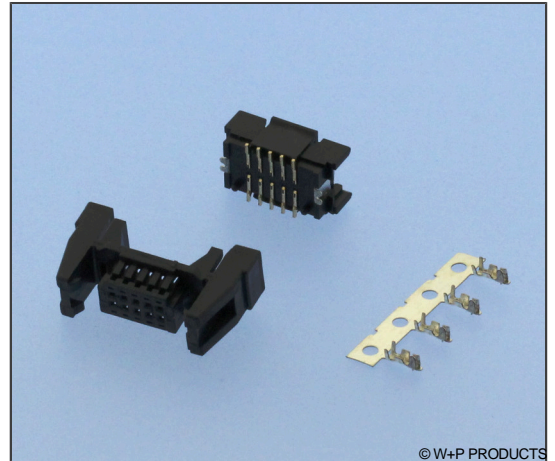


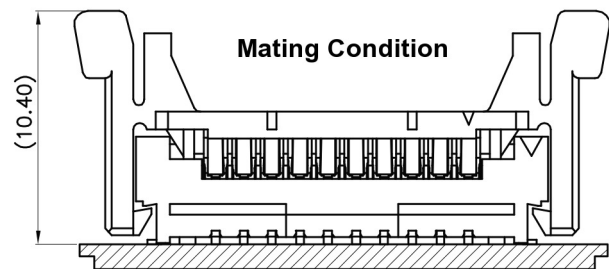
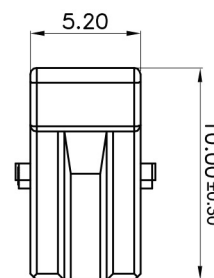
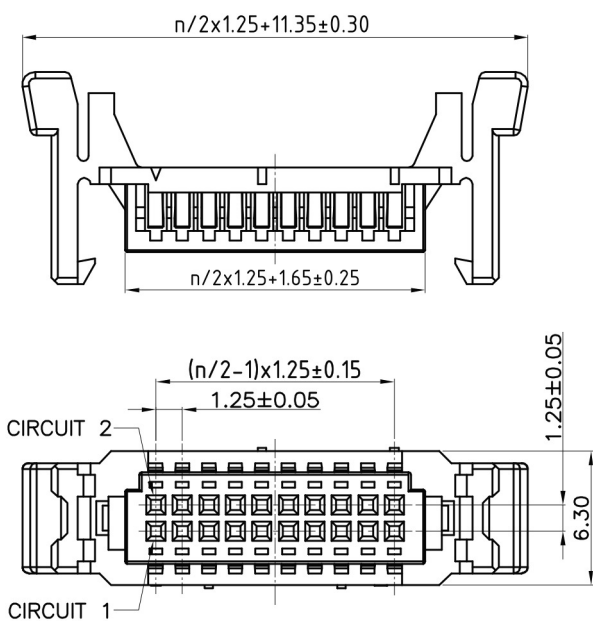
SMT-Crimp-Rast-Stift-/Buchsenleisten RM 1,25mm, stehend, 2-reihig SMT Friction Lock Headers / Crimp Housings, 1.25mm Pitch, Vertical, Double Row

Technische Daten / Technical Data

Isolierkörper	Thermoplast, UL94 V-0, halogenfrei
Insulator	Thermoplastic, UL94 V-0, halogen free
Aderquerschnitt	AWG 32 ~ 26
Applicable wire Gauge	AWG 32 ~ 26
Durchgangswiderstand	< 20 mΩ
Contact Resistance	< 20 mΩ
Isolationswiderstand	> 500 MΩ
Insulation Resistance	> 500 MΩ
Spannungsfestigkeit	500 V AC
Test Voltage	500 V AC
Nennspannung	100 V AC/DC
Voltage Rating	100 V AC/DC
Nennstrom	1 A
Current Rating	1 A
Temperaturbereich	-25 °C ... +85 °C
Temperature Range	-25 °C ... +85 °C



© W+P PRODUCTS



Series

1251

Contacts*

20

10/20/30/40

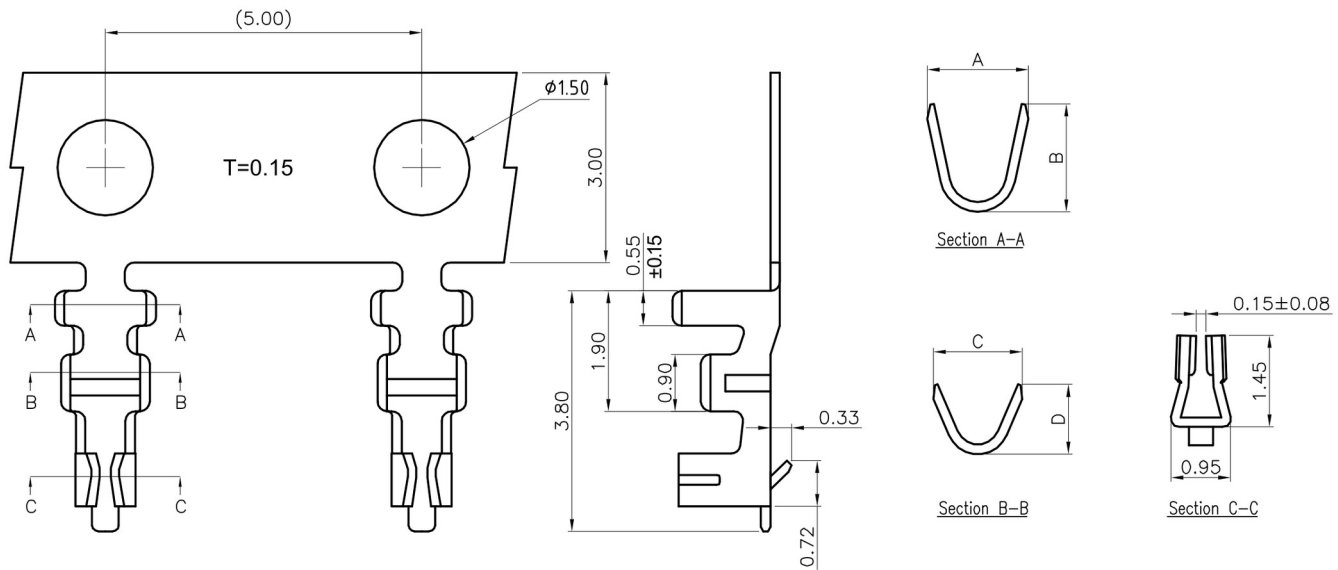
Type

1

1 Buchsengehäuse
Housing for female crimp contacts

1251

SMT-Crimp-Rast-Stift-/Buchsenleisten RM 1,25mm, stehend, 2-reihig
SMT Friction Lock Headers / Crimp Housings, 1.25mm Pitch, Vertical, Double Row



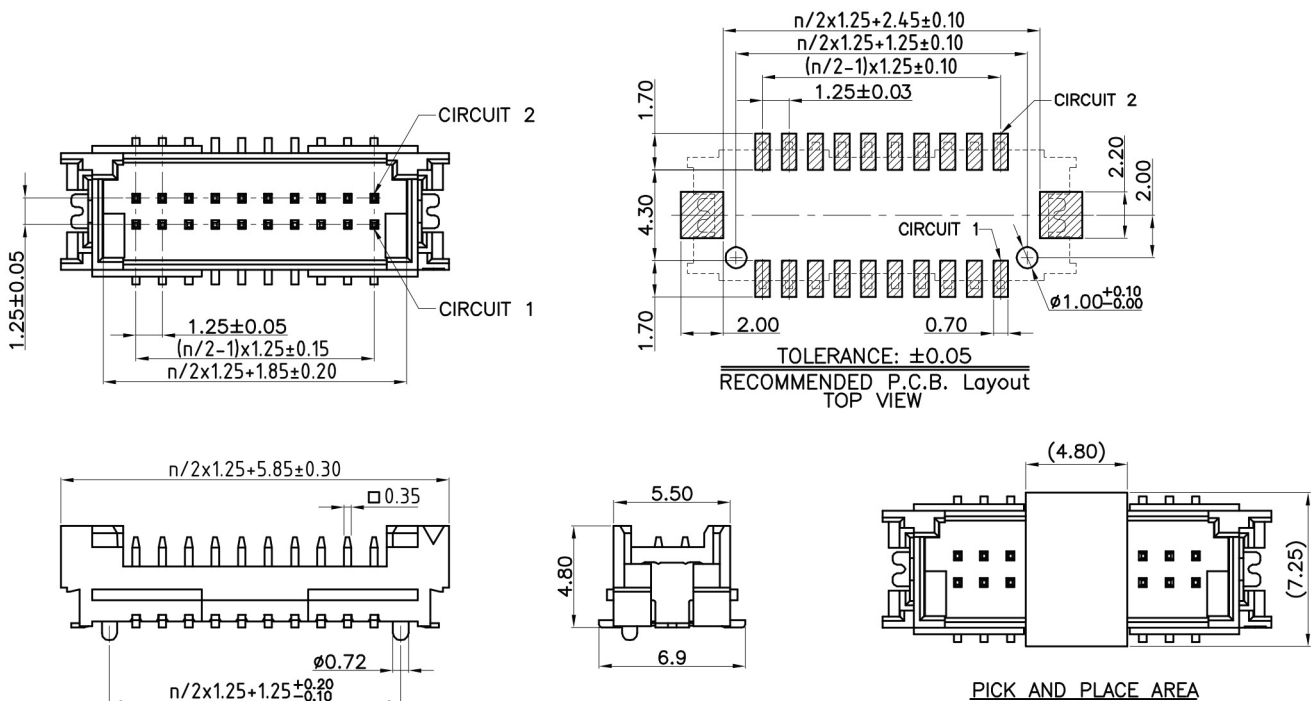
Wire Range	Insulation O.D.	DIM.(mm)			
		A	B	C	D
AWG#26~#28	$\phi 0.70 \sim 0.90$ mm	1.6	1.7	1.4	1.1
AWG#30~#32	$\phi 0.40 \sim 0.70$ mm	1.4	1.3	1.1	1.0

Series **1251** — **Contacts** **01** — **Type** **2** — **Plating*** **50** — **AWG*** **2628**

2 Buchsenkontakte
Female crimp contacts

00 Au
50 Sn

2628 AWG 28 ~ 26
3032 AWG 32 ~ 30



Series **1251** — **Contacts*** **20** — **Type** **3** — **Plating*** **50** — **Packaging** **PPTR**

10/20/30/40

3 SMT Wannenstiftleisten stehend
SMT box headers vertical

00 Au
50 Sn

PPTR

* Dies ist ein **Bestellbeispiel** - bitte durch Ihre Spezifikationen ersetzen.
 * This is an **order example** - please replace by your specifications.

Lieferformen / Packaging Options:
PPTR Tape & Reel mit Pick & Place Pad / *Tape & Reel with Pick & Place Pad*