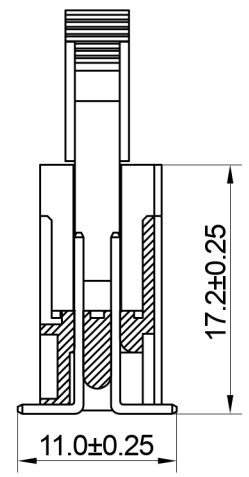
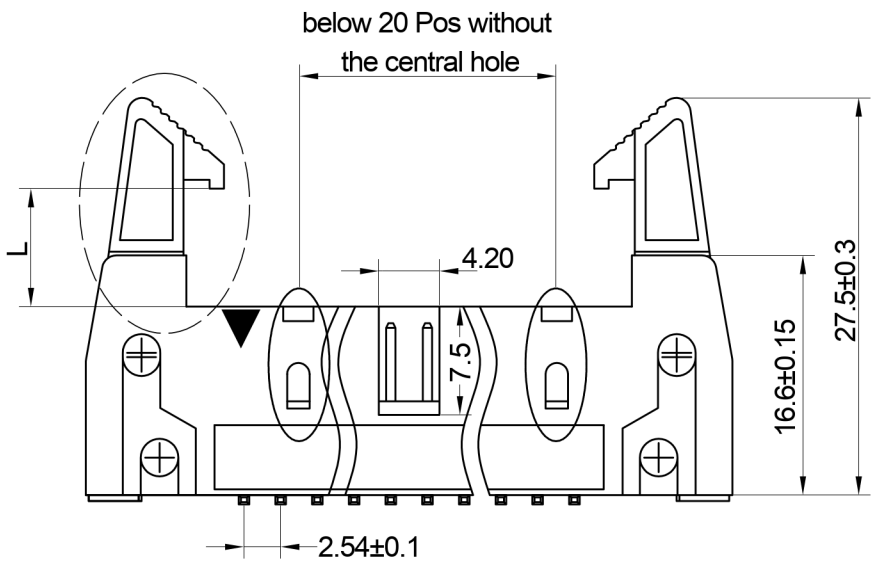
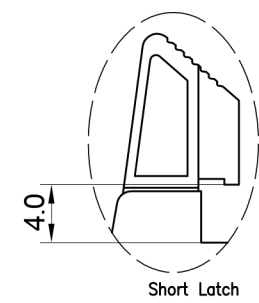
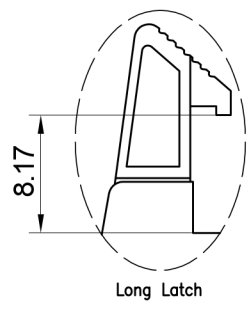
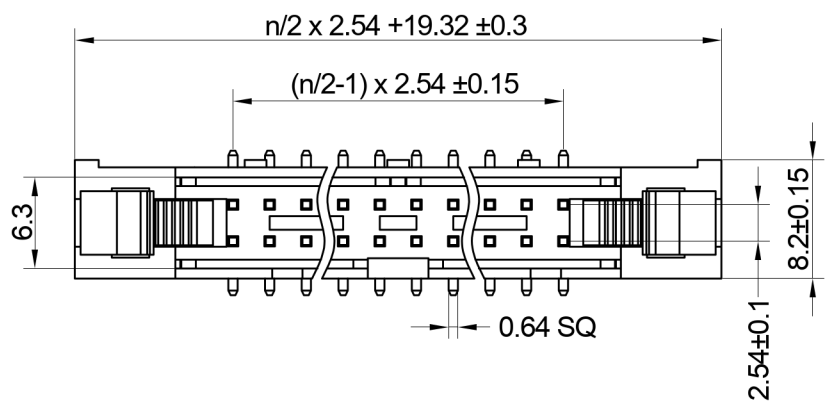


On release of the data sheet, previous releases are no longer valid. Dimensions are subject to change.

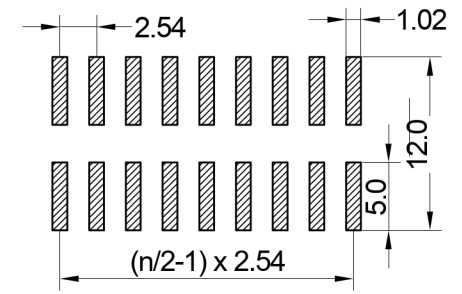
Copying of this document, and giving it to others and the use or communication of the contents thereof, are forbidden without express authority. Offenders are liable to the registration of a utility model or design.



Insulator	Thermoplastic, rated UL94 V-0
Contact Material	Copper alloy
Contact Surface	Au over Ni
Contact Resistance	20 mΩ max.
Insulation Resistance	1000 MΩ min.
Test Voltage	1000 V AC/DC
Current Rating	3.0 A
Temperature Range	-40 °C ... +105 °C
Processing Temperature	230 °C for 30-60 seconds (260 °C for 10 seconds)



Recommended PCB Layout (Top Side)
(PCB BOARD TOLERANCE ±0.05)



Series	Contacts *	Latches *	Plating	Packaging *
46-1380	040 06-40	00 00 W/o latches Ohne Hebel 10 Short latches Kurze Hebel 20 Long latches Lange Hebel	00 Vergoldet Gold plated	ST Im Blister / In the blister ST In Stangen / In tubes PPST In Stangen mit P&P-Pads / In tubes with P&P-Pads

Mates with IDC socket connectors e.g. series 141

X.X	±0.30
X.XX	±0.20
X.XXX	±0.10
Angle	±3°
DIM	TOL



Serial Number 46-1380			
Part Name SMT Box Header with Latches, 2.54mm Pitch, Vertical			
Creation date 2020-05-15	Drawn AL	Approved PS	Approval date 2021-01-04
REACH (EG) Nr. 1907/2006 RoHS 2011/65/EU compliant		Scale %	Sheet