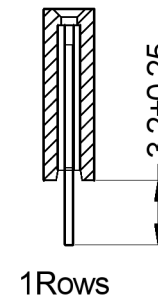
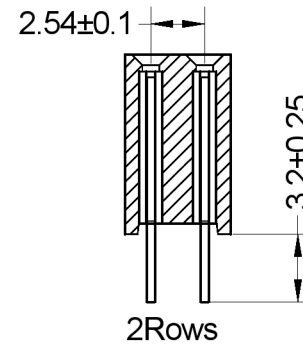
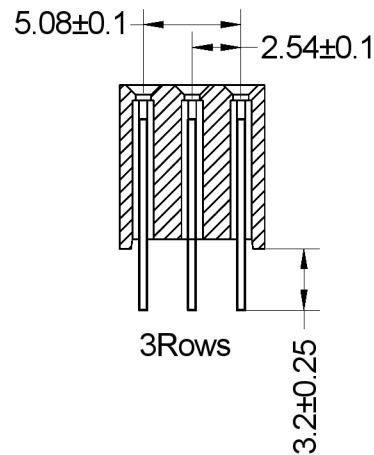
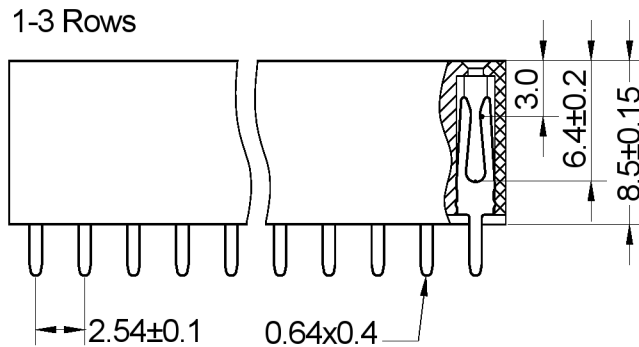
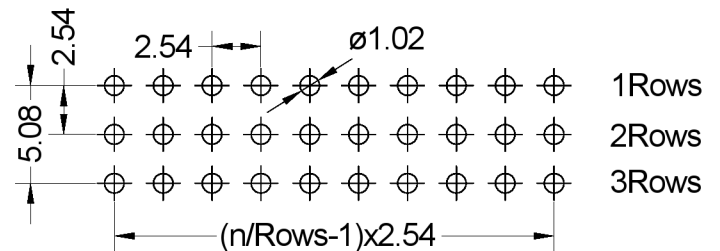


Insulator	Thermoplastic, rated UL94 V-0
Contact Material	Copper alloy
Contact Surface	Au over Ni
Contact Resistance	20 mΩ max.
Insulation Resistance	1000 MΩ min.
Test Voltage	1000 V AC/DC
Current Rating	3 A
Temperature Range	-40 °C ... +105 °C
Processing Temperature	230 °C for 30-60 seconds (260 °C for 10 seconds)



Recommended P.C.B Layout(Top Side)
(PCB BOARD TOLERANCE±0.05)



Series	Contacts*	Rows*	Plating
46-157	08	2	00
	02-40 Einreihig Single row 04-80 Zweireihig Double row 09-96 Dreireihig Triple row	1 Einreihig Single row 2 Zweireihig Double row 3 Dreireihig Triple row	00 Vergoldet Gold plated

X.X	±0.30	W+P WE CONNECT IT	Serial Number 46-157			
X.XX	±0.20		Part Name Female Headers 254mm Pitch, Straight, 1/2/3 Row			
X.XXX	±0.10		Creation date 2018-08-21	Drawn AL	Approved PS	Approval date 2021-07-16
Angle	±3°		REACH (EG) Nr. 1907/2006 RoHS 2011/65/EU compliant		Scale %	Sheet
DIM	TOL					Change:b

Copying of this document, and giving it to others and the use or communication of the contents thereof, are forbidden without express authority. Offenders are liable to the registration of a utility model or design.

By appearing this data sheet previous are no longer valid.