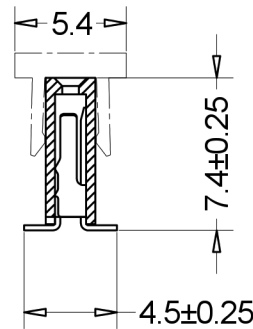
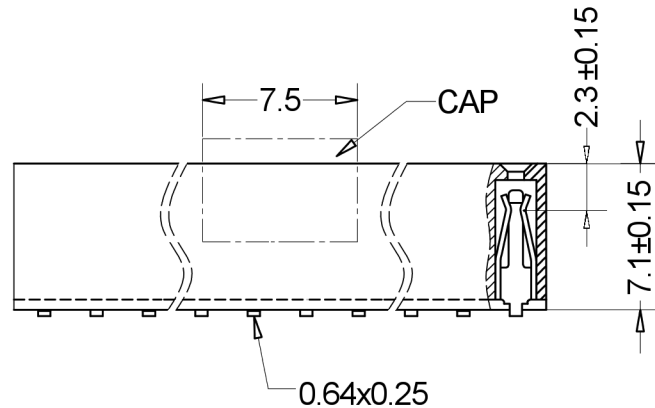
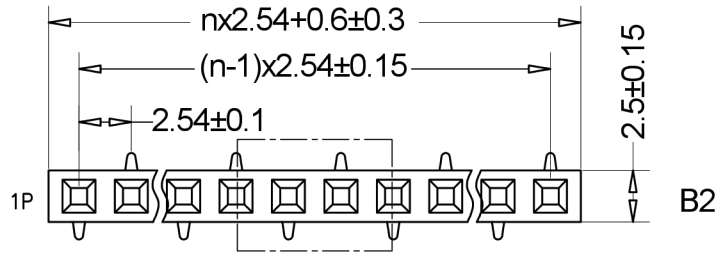
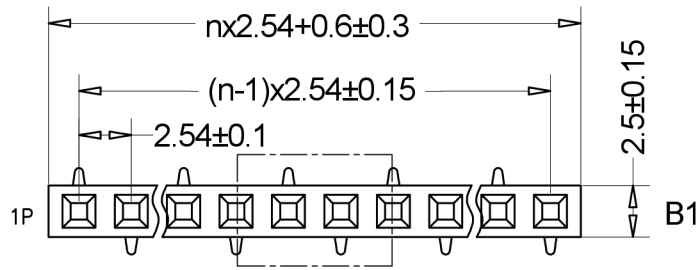


On release of the data sheet, previous releases are no longer valid. Dimensions and tolerances are subject to change.

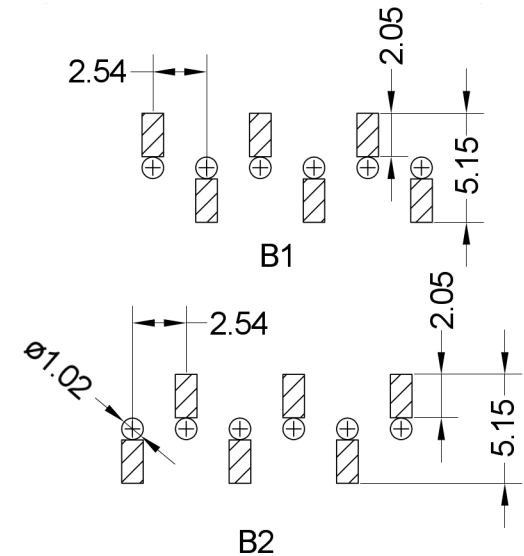
Copying of this document, and giving it to others and the use or communication of the contents thereof, are forbidden without express authority. Offenders are liable to the prosecution of the courts in the event of the grant of a patent or the registration of a utility model or design.



### SPECIFICATIONS

Rated Current:	3A
Contact Resistance:	20mΩ Max
Withstand Voltage:	1000V AC/DC
Insulation Resistance:	1000MΩ Min
Operation Temperature:	-40°C to +105°C
Contact Material:	Copper alloy
Contact Plating:	Au over Ni
Insulator Material:	Thermoplastic, UL94 V-0
Max.Processing Temp:	230°C for 30-60 seconds (260°C for 10 seconds)

Recommended P.C.B Layout (Top Side)  
(PCB BOARD TOLERANCE ±0.05)

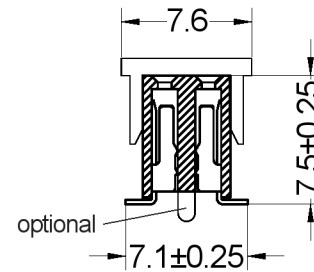
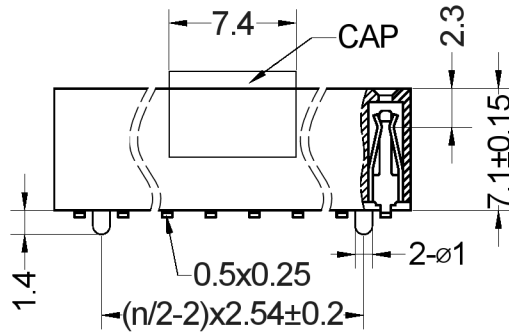
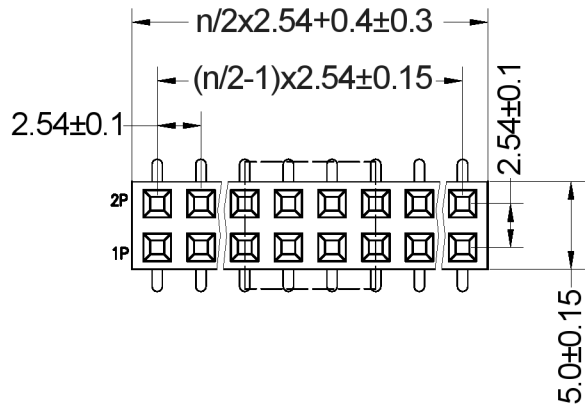


<b>Series</b>	<b>Contacts*</b>	<b>Rows*</b>	<b>Plating</b>	<b>Locating Pegs*</b>	<b>Packaging*</b>
<b>46-3490</b>	<b>16</b>	<b>1</b>	<b>00</b>	<b>00</b>	<b>ST</b>
	04-40 Einreihig Single row	1 Einreihig B1 Single row B1 2 Einreihig B2 Single row B2	00 Vergoldet Gold plated	00 Ohne Pos.hilfen Wo loc. pegs	ST PPST PPTR

X.X	±0.30
X.XX	±0.20
X.XXX	±0.10
Angle	±3°
DIM	TOL



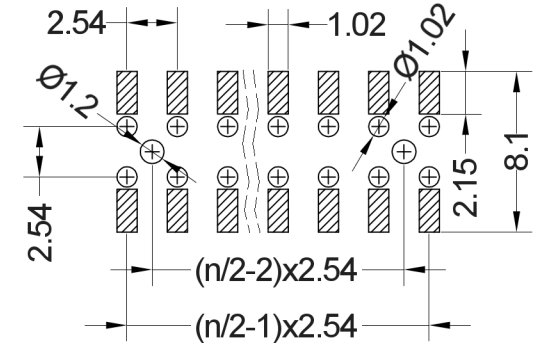
Serial Number <b>46-3490</b>			
Part Name SMT Female Headers 2.54mm Pitch, Vertical, 1 Row - Pass Through			
Creation date 2018-07-19	Drawn AL	Approved PS	Approval date 2018-07-19
RoHS 2011/65/EU compliant		Scale %	Sheet 1/2



### SPECIFICATIONS

Rated Current:	3A
Contact Resistance:	20mΩ Max
Withstand Voltage:	1000V AC/DC
Insulation Resistance:	1000MΩ Min
Operation Temperature:	-40°C to +105°C
Contact Material:	Copper alloy
Contact Plating:	Au over Ni
Insulator Material:	Thermoplastic, UL94 V-0
Max.Processing Temp:	230°C for 30-60 seconds (260°C for 10 seconds)

### Recommended PCB Layout (Top Side) (PCB BOARD TOLERANCE ±0.05)



#### Series

**46-3490**

#### Contacts\*

**16**

04-40 Zweireihig  
Double row

#### Rows

**3**

3 Zweireihig  
Double row

#### Plating

**00**

00 Vergoldet  
Gold plated

#### Locating Pegs\*

**00**

00 Ohne Pos.hilfen  
W/o loc. pegs  
10 Mit Pos.hilfen (nur zweireihig)  
With loc. pegs (double row only)

#### Packaging\*

**ST**

ST  
PPST  
PPTR

Mates with □0.635mm pin header

X.X	±0.30
X.XX	±0.20
X.XXX	±0.10
Angle	±3°
DIM	TOL



Serial Number <b>46-3490</b>			
Part Name SMT Female Headers 2.54mm Pitch, Vertical, 2 Row - Pass Through			
Creation date 2018-07-19	Drawn AL	Approved PS	Approval date 2022-07-12
RoHS 2011/65/EU compliant		Scale %	Sheet 2/2