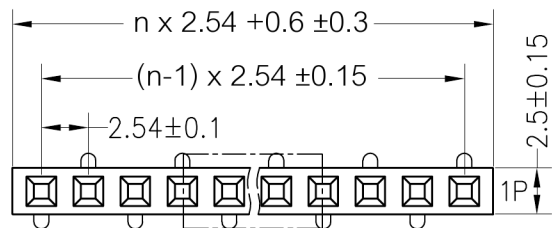
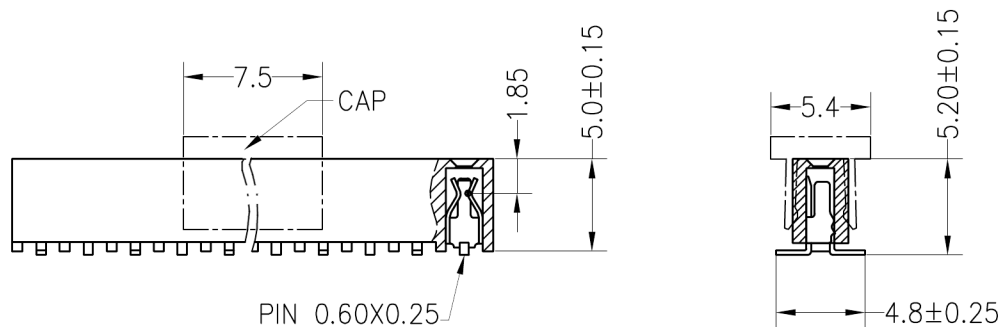


**Layout B1**

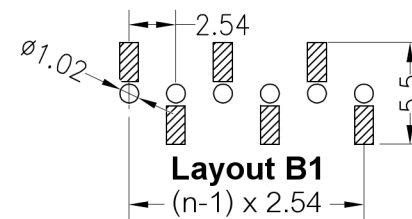


**Layout B2**

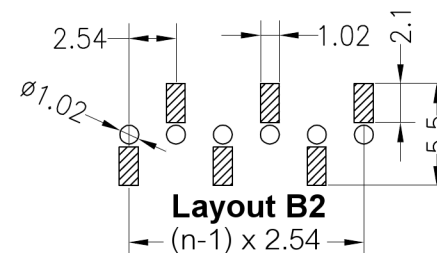


Insulator	Thermoplastic, rated UL94 V-0
Contact Material	Copper alloy
Contact Surface	Au over Ni
Contact Resistance	20 mΩ max.
Insulation Resistance	1000 MΩ min.
Test Voltage	1000 V AC/DC
Current Rating	3.0 A
Temperature Range	-40 °C ... +105 °C
Processing Temperature	230 °C for 30-60 seconds (260 °C for 10 seconds)

Recommended PCB Layouts (Top Side)  
(PCB BOARD TOLERANCE ±0.05)



**Layout B1**



**Layout B2**

Series **46-3498** Contacts\* **10** Type\* **2** Plating **00** Packaging\* **PPST**

**03-30** Einreihig  
Single row

**1** Layout B1  
**2** Layout B2

**00** Vergoldet  
Gold plated

**ST** In Stangen ohne Pick&Place-Pads / In tubes w/o Pick&Place-Pads  
**PPST** In Stangen mit P&P-Pads / In tubes with P&P-Pads  
**PPTR** Tape & Reel mit P&P-Pads / Tape & Reel with P&P-Pads

Mates with □0.635mm pin header

X.X	±0.30
X.XX	±0.20
X.XXX	±0.10
Angle	±3°
DIM	TOL



Serial Number <b>46-3498</b>			
Part Name SMT Female Header, 2.54mm Pitch, Vertical, Single Row - 5.0mm Profile, Pass Through			
Creation date 2019-08-07	Drawn AL	Approved PS	Approval date 2021-01-08
REACH (EG) Nr. 1907/2006 RoHS 2011/65/EU compliant		Scale %	Sheet

On release of the data sheet, previous releases are no longer valid. Dimensions and tolerances are subject to change.

Copying of this document, and giving it to others and the use or communication of the contents thereof, are forbidden without express authority. Offenders are liable to the registration of a utility model or design.