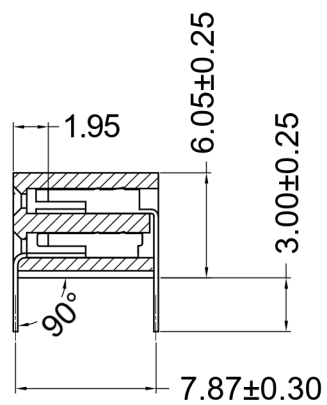
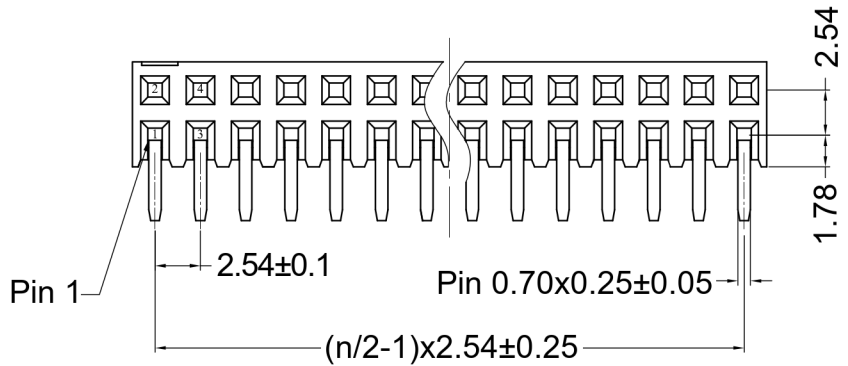
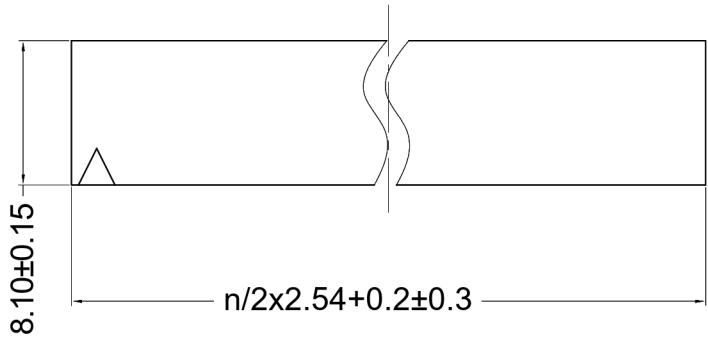


On release of the data sheet, previous releases are no longer valid. Dimensions and tolerances are subject to change.

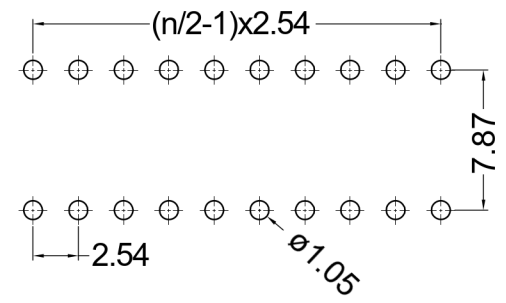
Copying of this document, and giving it to others and the use or communication of the contents thereof, are forbidden without express authority. Offenders are liable to the payment of damages and may be prosecuted in the event of the grant of a patent or the registration of a utility model or design.




SPECIFICATIONS

- Insulator: Thermoplastic, rated UL94 V-0
- Contact Material: Phosphor Bronze
- Contact Surface: Au over Ni
- Contact Resistance: 20 mΩ max.
- Insulation Resistance: 1000 MΩ min.
- Test Voltage: 1000 V AC/DC
- Current Rating: 3 A
- Temperature Range: -40 °C ... +125 °C
- Max.Processing Temp: 230 °C for 30-60 seconds
(260 °C for 10 seconds)

Recommended PCB Layout (Top Side)
(PCB BOARD TOLERANCE ±0.05)



Series **46-388** —
 Contacts* **10** 08-70 Zweireihig Double row —
 Rows **2** 2 Zweireihig Double row —
 Layout **1** 1 D=7.87mm —
 Plating **00** Vergoldet Gold plated

X.X	±0.40	 WE CONNECT IT	Serial Number 46-388			
X.XX	±0.25		Part Name Stand-Off Female Header, 2.54mm Pitch, Side Entry, Double Row			
X.XXX	±0.15		Creation date 2022-06-07	Drawn AL	Approved PS	Approval date 2022-09-13
Angle	± 3°		REACH (EG) Nr. 1907/2006 RoHS 2011/65/EU compliant		Scale %	Sheet
DIM	TOL					