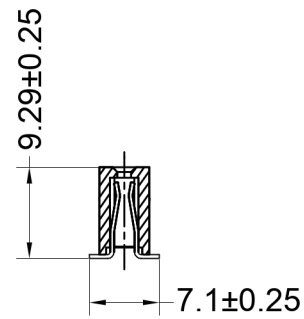
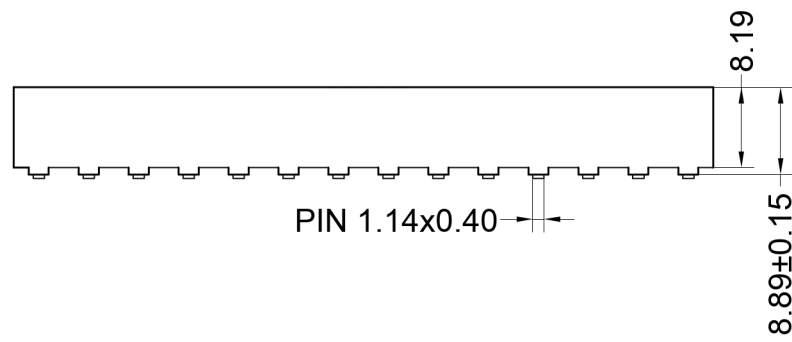
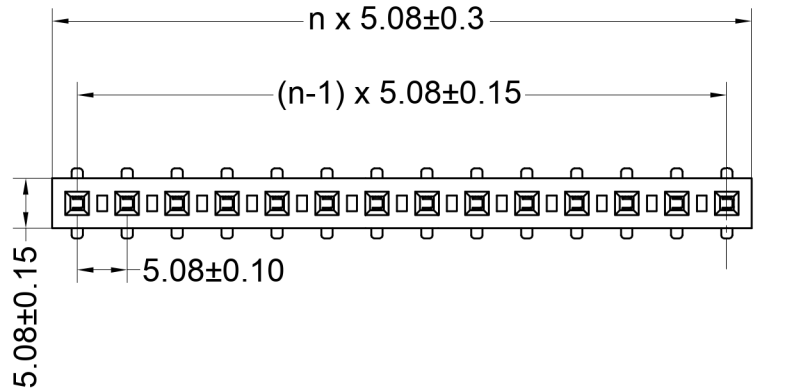


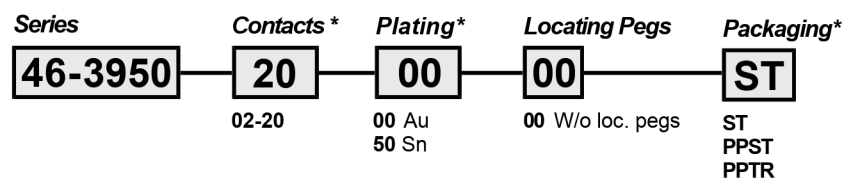
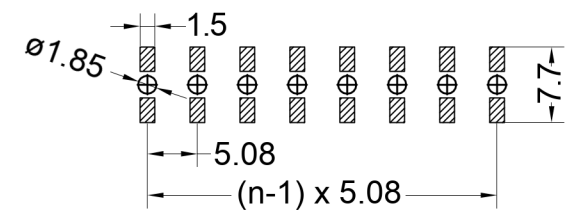
On release of the data sheet, previous releases are no longer valid. Dimensions and tolerances are subject to change.


Copying of this document, and giving it to others and the use or communication of the contents thereof, are forbidden without express authority. Offenders are liable to the payment of damages and may be prosecuted in the event of a patent or the registration of a utility model or design.



Insulator: Thermoplastic, rated UL94 V-0
 Contact Material: Copper alloy
 Contact Surface: Au or Sn over Ni
 Contact Resistance: 20 mΩ max.
 Insulation Resistance: 1000 MΩ min.
 Test Voltage: 1000 V AC/DC
 Current Rating: 7 A
 Temperature Range: -40 °C ... +105 °C
 Processing Temperature: 230 °C for 30-60 seconds.
 (260 °C for 10 seconds)

Recommended P.C.B Layout(Top Side)
 (PCB BOARD TOLERANCE±0.05)



X.X	±0.30	 WE CONNECT IT	Serial Number 46-3950			
X.XX	±0.20		Part Name SMT Female Headers, 5.08mm Pitch, Vertical – Power Contacts, Pass Through			
X.XXX	±0.10		Creation date 2021-02-18	Drawn AL	Approved PS	Approval date 2021-02-18
Angle	±3°		REACH (EG) Nr. 1907/2006 RoHS 2011/65/EU compliant		Scale %	Sheet
DIM	TOL					