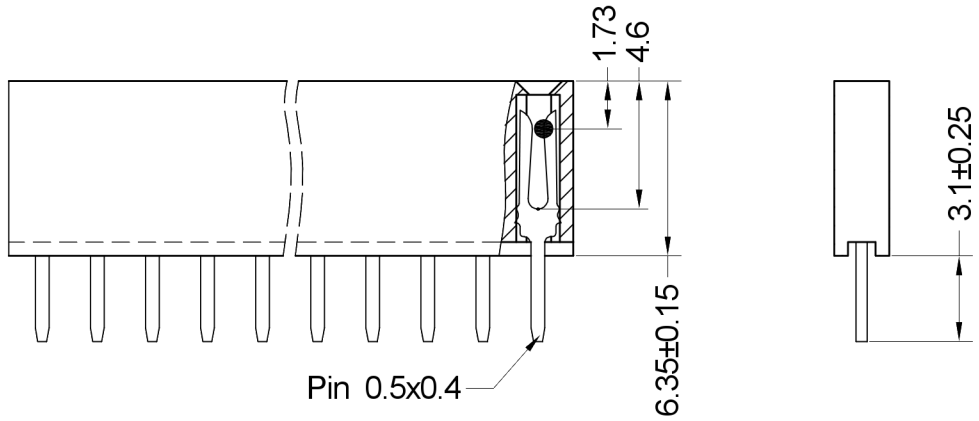
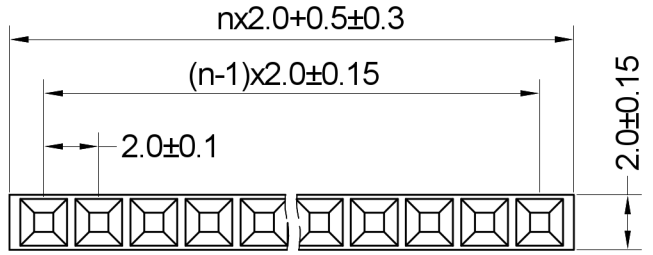


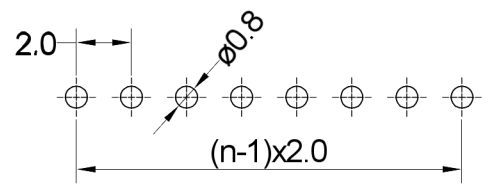
On release of the data sheet, previous releases are no longer valid. Dimensions and tolerances are subject to change.

Copying of this document, and giving it to others and the use or communication of the contents thereof, are forbidden without express authority. Offenders are liable to the registration of a utility model or design.



Insulator	Thermoplastic, rated UL94 V-0
Contact Material	Copper alloy
Contact Surface	Au over Ni
Contact Resistance	20 mΩ max.
Insulation Resistance	1000 MΩ min.
Test Voltage	500 V AC/DC
Current Rating	1.5 A
Temperature Range	-40 °C ... +105 °C
Processing Temperature	230 °C for 30-60 seconds (260 °C for 10 seconds)

Recommended PCB Layout (Top Side)
(PCB BOARD TOLERANCE ±0.05)



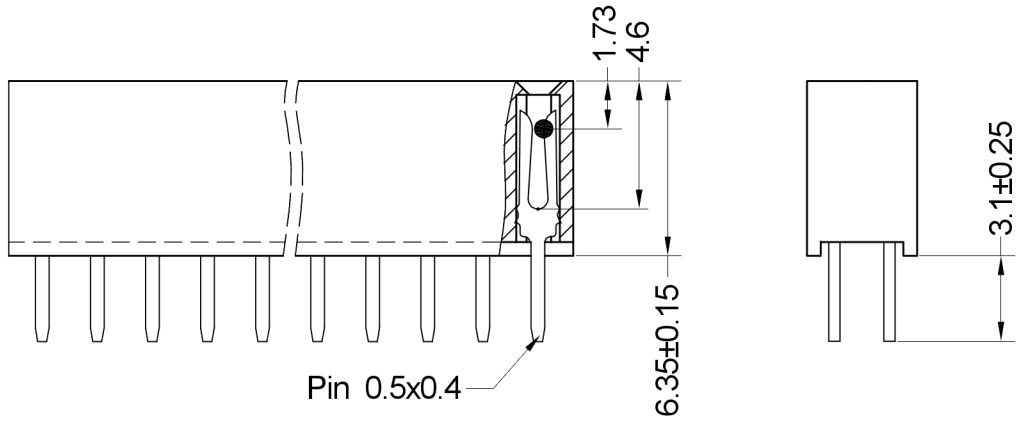
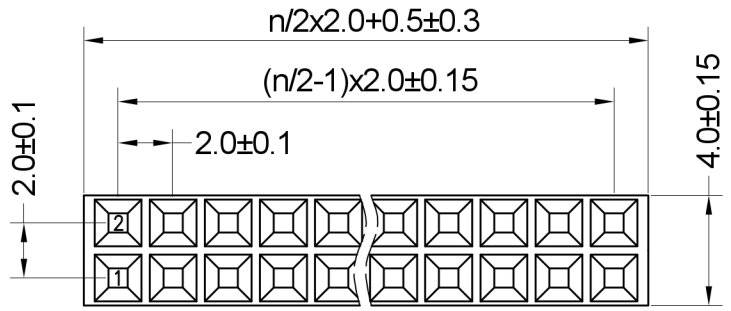
Mates with □0.50mm pin header

Series	Contacts *	Rows	Type	Dimensions	Plating
46-416	020 002-040 Einreihig Single row	1 1 Einreihig Single row	1 1 Gerade Straight	10 C=3.1mm	00 Vergoldet Gold plated

X.X	±0.30	 WE CONNECT IT	Serial Number 46-416			
X.XX	±0.20		Part Name Female Header, 2.00mm Pitch, Straight, Single Row 6.35mm Profile			
X.XXX	±0.10		Creation date 2019-02-28	Drawn AL	Approved PS	Approval date 2021-01-06
Angle	±3°		REACH (EG) Nr. 1907/2006 RoHS 2011/65/EU compliant		Scale %	Sheet 1/5
DIM	TOL					

On release of the data sheet, previous releases are no longer valid. Dimensions and tolerances are subject to change.

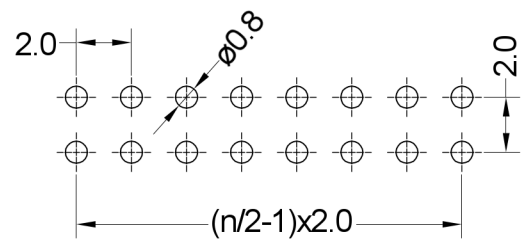
Copying of this document, and giving it to others and the use or communication of the contents thereof, are forbidden without express authority. Offenders are liable to the registration of a utility model or design.



Pin 0.5x0.4

Insulator	Thermoplastic, rated UL94 V-0
Contact Material	Copper alloy
Contact Surface	Au over Ni
Contact Resistance	20 mΩ max.
Insulation Resistance	1000 MΩ min.
Test Voltage	500 V AC/DC
Current Rating	1.5 A
Temperature Range	-40 °C ... +105 °C
Processing Temperature	230 °C for 30-60 seconds (260 °C for 10 seconds)

Recommended PCB Layout (Top Side)
(PCB BOARD TOLERANCE ±0.05)



Mates with □0.50mm pin header

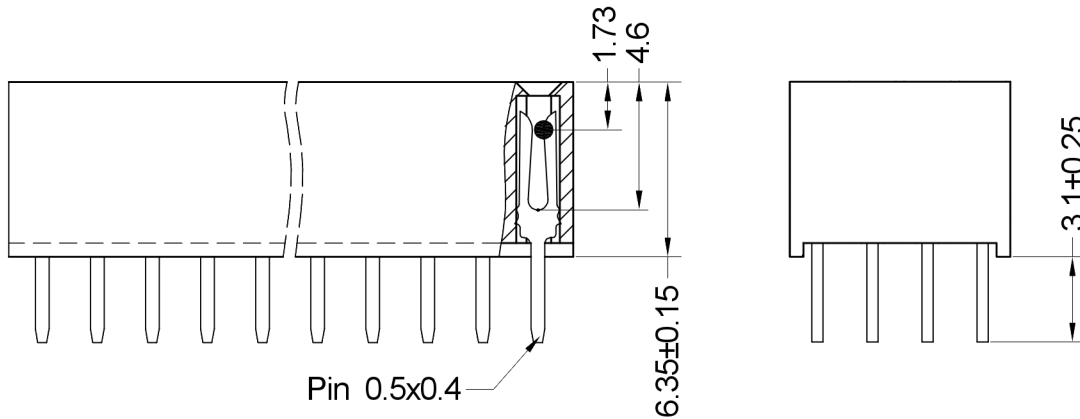
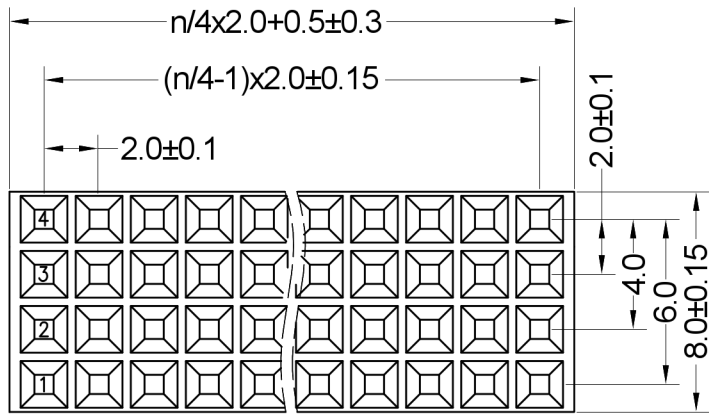
Series	Contacts *	Rows	Type	Dimensions	Plating
46-416	024 004-080 Zweireihig Double row	2 2 Zweireihig Double row	1 1 Gerade Straight	10 C=3.1mm	00 Vergoldet Gold plated

X.X	±0.30
X.XX	±0.20
X.XXX	±0.10
Angle	±3°
DIM	TOL



Serial Number 46-416			
Part Name Female Header, 2.00mm Pitch, Straight, Double Row 6.35mm Profile			
Creation date 2019-02-28	Drawn AL	Approved PS	Approval date 2021-01-06
REACH (EG) Nr. 1907/2006 RoHS 2011/65/EU compliant		Scale %	Sheet 3/5

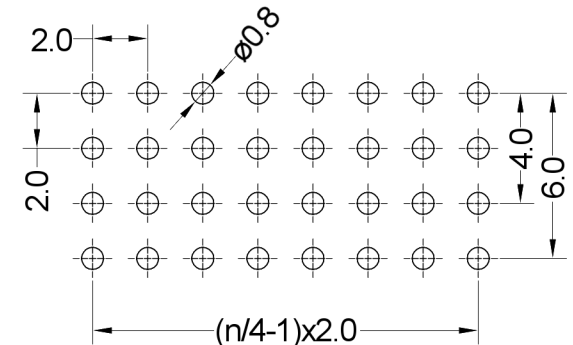
On release of the data sheet, previous releases are no longer valid. Dimensions are subject to change.



Pin 0.5x0.4

Insulator	Thermoplastic, rated UL94 V-0
Contact Material	Copper alloy
Contact Surface	Au over Ni
Contact Resistance	20 mΩ max.
Insulation Resistance	1000 MΩ min.
Test Voltage	500 V AC/DC
Current Rating	1.5 A
Temperature Range	-40 °C ... +105 °C
Processing Temperature	230 °C for 30-60 seconds (260 °C for 10 seconds)

Recommended PCB Layout (Top Side)
(PCB BOARD TOLERANCE ±0.05)



Mates with □0.50mm pin header

Series	Contacts *	Rows	Type	Dimensions	Plating
46-416	028 008-160 Vierreihig Quadruple row	4 4 Vierreihig Quadruple row	1 1 Gerade Straight	10 C=3,1mm	00 Vergoldet Gold plated

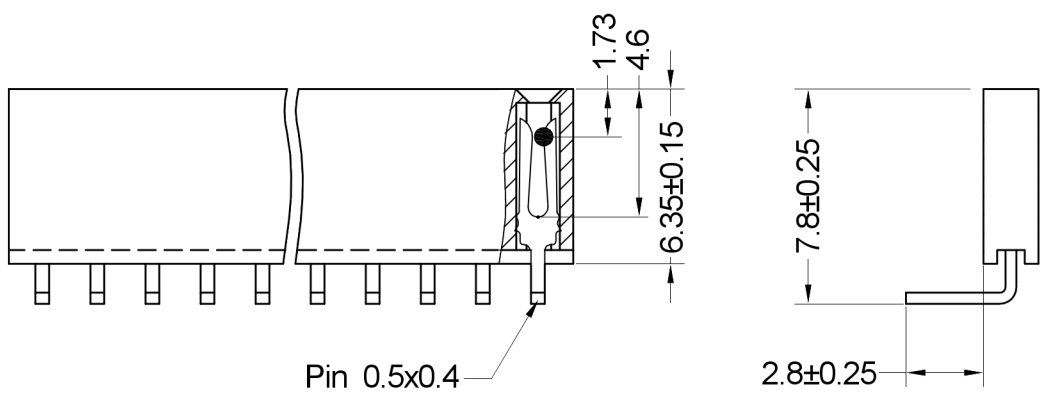
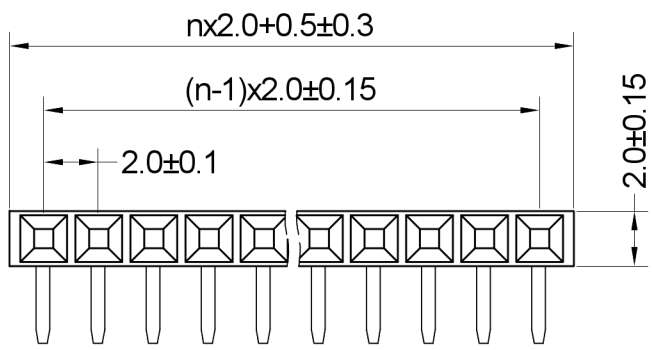
X.X	±0.30
X.XX	±0.20
X.XXX	±0.10
Angle	±3°
DIM	TOL



Serial Number 46-416			
Part Name Female Header, 2.00mm Pitch, Straight, Quadruple Row 6.35mm Profile			
Creation date 2019-02-28	Drawn AL	Approved PS	Approval date 2021-01-06
REACH (EG) Nr. 1907/2006 RoHS 2011/65/EU compliant		Scale %	Sheet 5/5

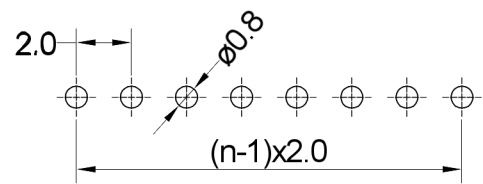
Copying of this document, and giving it to others and the use or communication of the contents thereof, are forbidden without express authority. Offenders are liable to the registration of a utility model or design.

On release of the data sheet, previous releases are no longer valid. Dimensions are subject to change.



Insulator	Thermoplastic, rated UL94 V-0
Contact Material	Copper alloy
Contact Surface	Au over Ni
Contact Resistance	20 mΩ max.
Insulation Resistance	1000 MΩ min.
Test Voltage	500 V AC/DC
Current Rating	1.5 A
Temperature Range	-40 °C ... +105 °C
Processing Temperature	230 °C for 30-60 seconds (260 °C for 10 seconds)

Recommended PCB Layout (Top Side)
(PCB BOARD TOLERANCE ±0.05)



Mates with □0.50mm pin header

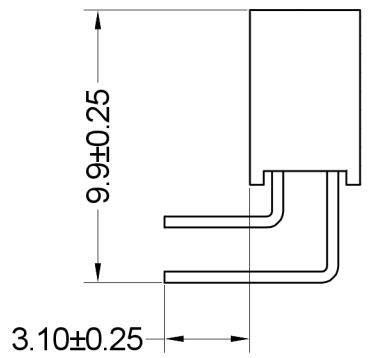
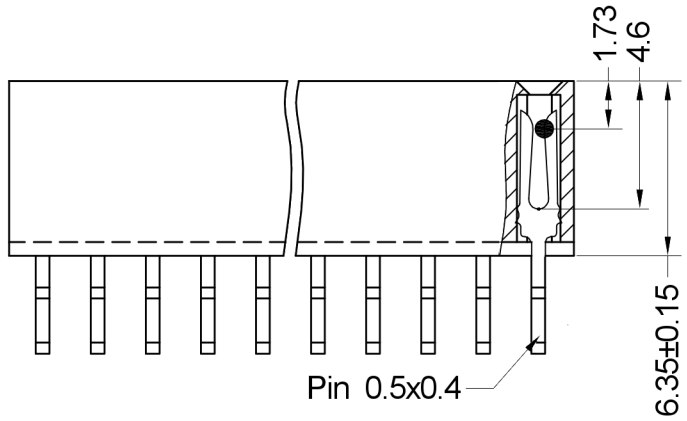
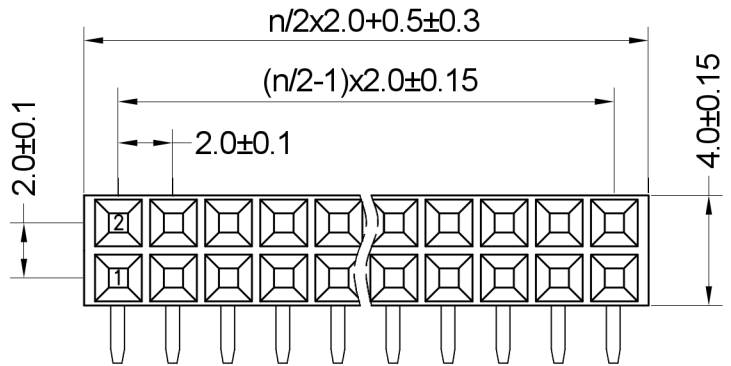
Series	Contacts *	Rows	Type	Dimensions	Plating
46-416	022 002-040 Einreihig Single row	1 1 Einreihig Single row	2 2 Gewinkelt Right-angled	10 C=2.8mm	00 Vergoldet Gold plated

X.X	±0.30	W+P WE CONNECT IT	Serial Number 46-416			
X.XX	±0.20		Part Name Female Header, 2.00mm Pitch, Right-Angled, Single Row 6.35mm Profile			
X.XXX	±0.10		Creation date 2019-02-28	Drawn AL	Approved PS	Approval date 2021-01-06
Angle	±3°		REACH (EG) Nr. 1907/2006 RoHS 2011/65/EU compliant		Scale %	Sheet 2/5
DIM	TOL					

Copying of this document, and giving it to others and the use or communication of the contents thereof, are forbidden without express authority. Offenders are liable to the registration of a utility model or design.

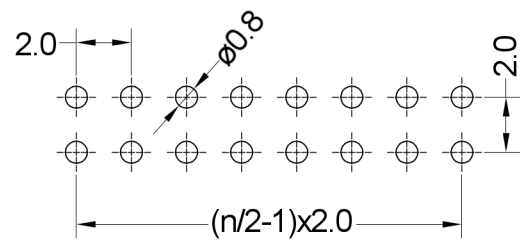
On release of the data sheet, previous releases are no longer valid. Dimensions and tolerances are subject to change.

Copying of this document, and giving it to others and the use or communication of the contents thereof, are forbidden without express authority. Offenders are liable to the prosecution of the courts. In the event of the grant of a patent or the registration of a utility model or design.



Insulator	Thermoplastic, rated UL94 V-0
Contact Material	Copper alloy
Contact Surface	Au over Ni
Contact Resistance	20 mΩ max.
Insulation Resistance	1000 MΩ min.
Test Voltage	500 V AC/DC
Current Rating	1.5 A
Temperature Range	-40 °C ... +105 °C
Processing Temperature	230 °C for 30-60 seconds (260 °C for 10 seconds)

Recommended PCB Layout (Top Side)
(PCB BOARD TOLERANCE ±0.05)



Series	Contacts *	Rows	Type	Dimensions	Plating
46-416	026 004-080 Zweireihig Double row	2 2 Zweireihig Double row	2 2 Gewinkelt Right-angled	10 10 C=3.1mm	00 00 Vergoldet Gold plated

Mates with □0.50mm pin header

X.X	±0.30	 WE CONNECT IT	Serial Number 46-416			
X.XX	±0.20		Part Name Female Header, 2.00mm Pitch, Right-Angled, Double Row 6.35mm Profile			
X.XXX	±0.10		Creation date 2019-02-28	Drawn AL	Approved PS	Approval date 2021-01-06
Angle	±3°		REACH (EG) Nr. 1907/2006 RoHS 2011/65/EU compliant		Scale %	Sheet 4/5
DIM	TOL					