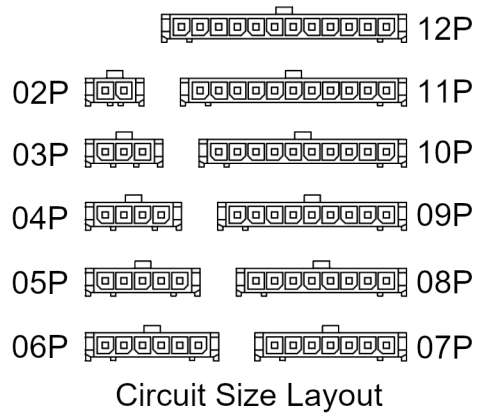
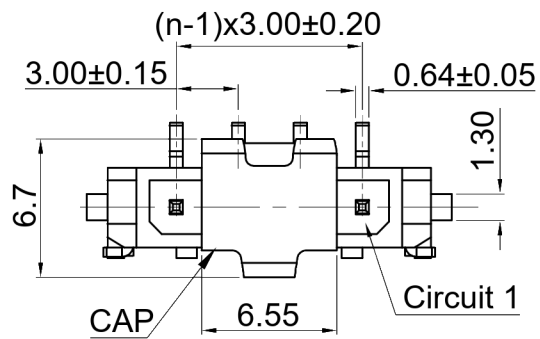
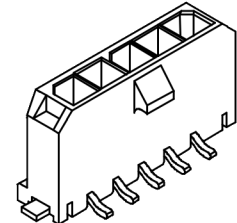
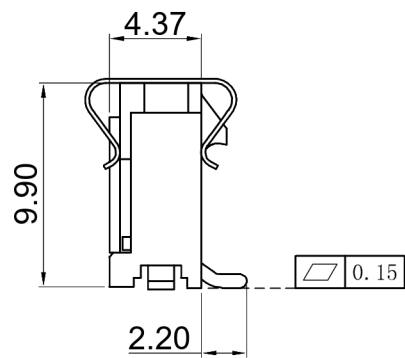
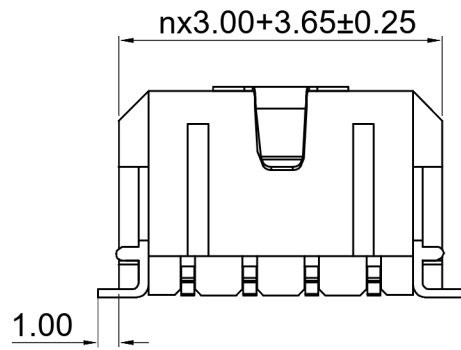


On release of the data sheet, previous releases are no longer valid. Dimensions and tolerances are subject to change.

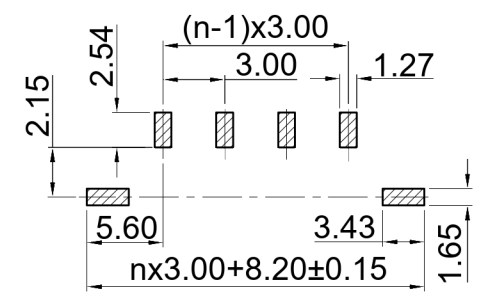
Copying of this document, and giving it to others and the use or communication of the contents thereof, are forbidden without express authority. Offenders are liable to the registration of a utility model or design.



Insulator:	Thermoplastic, rated UL94 V-0
Contact Material:	Copper alloy, 0.64mm square pin
Contact Surface:	Sn over Ni
Contact Resistance:	20 mΩ max.
Insulation Resistance:	1000 MΩ min.
Test Voltage:	1000 V AC / minute
Current Rating:	5 A AC/DC
Voltage Rating:	250 V AC DC
Temperature Range:	-40 °C ... +105 °C
Processing Temperature:	230 °C for 30-60 seconds (260 °C for 10 seconds)



Recommended P.C.B Layout (Top Side)  
(PCB BOARD TOLERANCE ±0.05)



Series	Contacts *	Type	Plating	Packaging *
<b>46-5830</b>	<b>10</b> 02-12 Einreihig Single row	<b>1</b> 1 Einreihig stehend Single row, vertical	<b>50</b> 50 Verzinkt Tin plated	<b>PPTR</b> PPTR Tape & Reel mit P&P-Pads / Tape & Reel with P&P-Pads

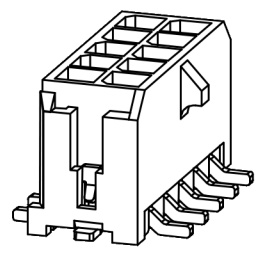
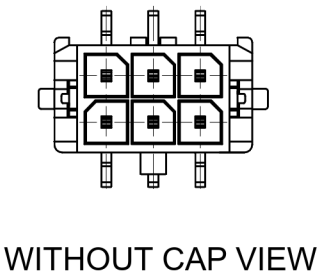
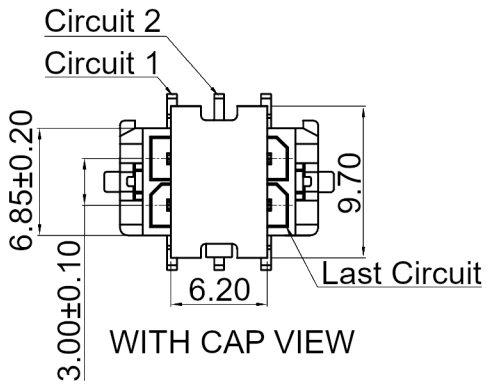
X	±0.30
.X	±0.25
.XX	±0.20
.XXX	±0.05
Angle	±1°
DIM	TOL



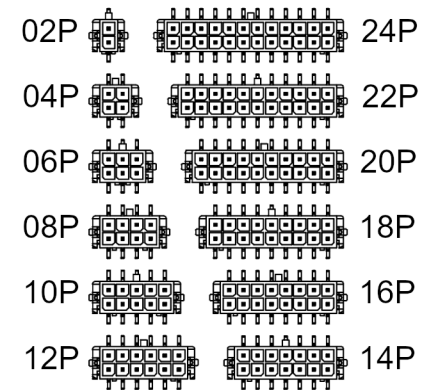
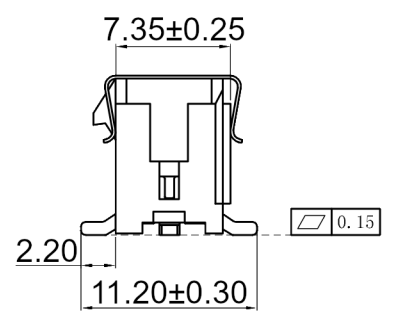
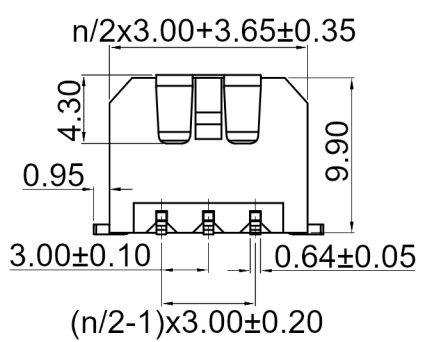
Serial Number <b>46-5830</b>			
Part Name SMT Friction Lock Header, 3.00mm Pitch, Vertical, Single Row			
Creation date 2022-05-23	Drawn AL	Approved PS	Approval date 2022-05-23
REACH (EG) Nr. 1907/2006 RoHS 2011/65/EU compliant		Scale %	Sheet 1/4

On release of the data sheet, previous releases are no longer valid. Dimensions and tolerances are subject to change.

Copying of this document, and giving it to others and the use or communication of the contents thereof, are forbidden without express authority. Offenders are liable to the registration of a utility model or design.

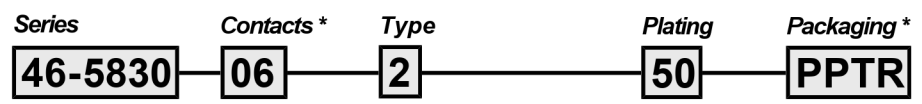
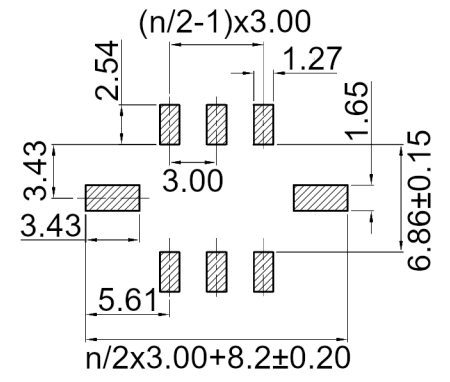


Insulator:	Thermoplastic, rated UL94 V-0
Contact Material:	Copper alloy, 0.64mm square pin
Contact Surface:	Sn over Ni
Contact Resistance:	20 mΩ max.
Insulation Resistance:	1000 MΩ min.
Test Voltage:	1500 V AC / minute
Current Rating:	5 A AC/DC
Voltage Rating:	250 V AC DC
Temperature Range:	-40 °C ... +105 °C
Processing Temperature:	230 °C for 30-60 seconds (260 °C for 10 seconds)



Circuit Size Layout

Recommended P.C.B Layout (Top Side)  
(PCB BOARD TOLERANCE ±0.05)



02-24      2 Zweireihig stehend  
Single row, vertical

50 Verzinkt  
Tin plated

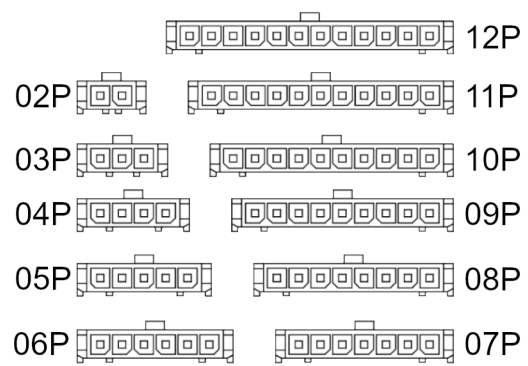
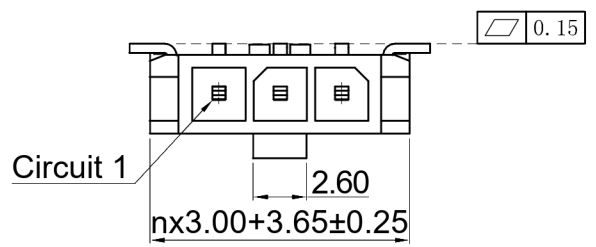
PPTR Tape & Reel mit P&P-Pads / Tape & Reel with P&P-Pads

X	±0.30
.X	±0.25
.XX	±0.20
.XXX	±0.05
Angle	±1°
DIM	TOL



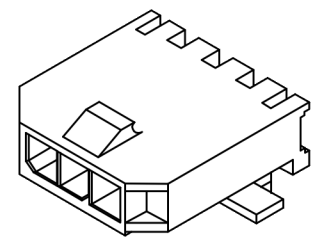
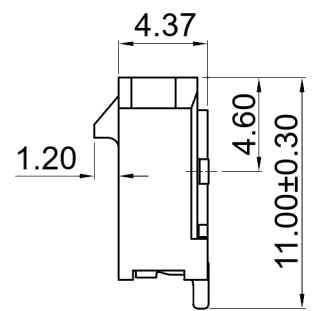
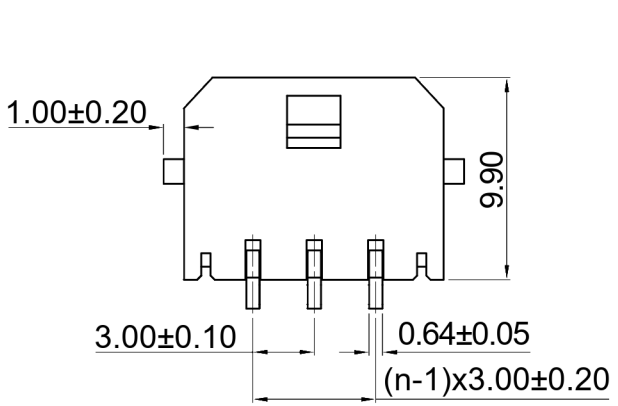
Serial Number <b>46-5830</b>			
Part Name SMT Friction Lock Header, 3.00mm Pitch, Vertical, Double Row			
Creation date 2022-05-23	Drawn AL	Approved PS	Approval date 2022-05-23
REACH (EG) Nr. 1907/2006 RoHS 2011/65/EU compliant		Scale %	Sheet 2 / 4

On release of the data sheet, previous releases are no longer valid. Dimensions and tolerances are subject to change.

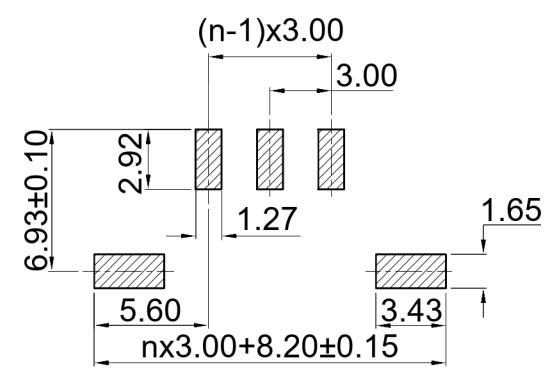


Circuit Size Layout

Insulator: Thermoplastic, rated UL94 V-0  
 Contact Material: Copper alloy, 0.64mm square pin  
 Contact Surface: Sn over Ni  
 Contact Resistance: 20 mΩ max.  
 Insulation Resistance: 1000 MΩ min.  
 Test Voltage: 1500 V AC / minute  
 Current Rating: 5 A AC/DC  
 Voltage Rating: 250 V AC DC  
 Temperature Range: -40 °C ... +105 °C  
 Processing Temperature: 230 °C for 30-60 seconds  
 (260 °C for 10 seconds)



Recommended P.C.B Layout (Top Side)  
(PCB BOARD TOLERANCE ±0.05)



**Series** 46-5830 — **Contacts \*** 08 — **Type** 3 — **Plating** 50 — **Packaging \*** TR  
 02-12 Einreihig Single row — 3 Einreihig liegend Single row, horizontal — 50 Verzinkt Tin plated — TR Tape & Reel

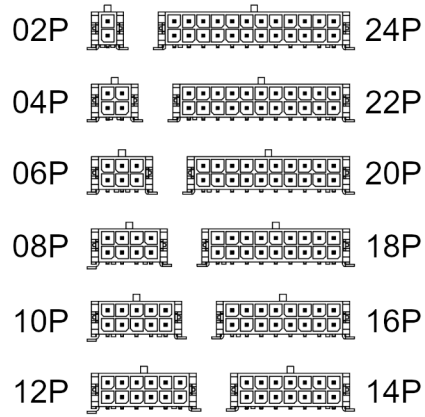
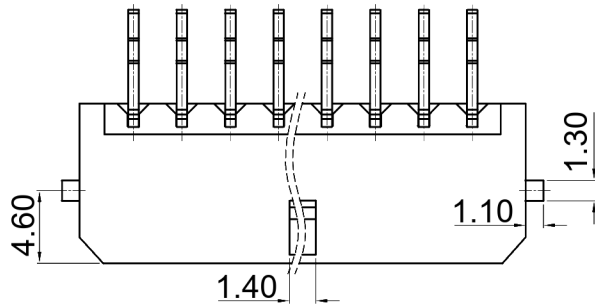
X	±0.30
.X	±0.25
.XX	±0.20
.XXX	±0.05
Angle	±1°
DIM	TOL



Serial Number 46-5830			
Part Name SMT Friction Lock Header, 3.00mm Pitch, Horizontal, Single Row			
Creation date 2022-05-23	Drawn AL	Approved PS	Approval date 2022-05-23
REACH (EG) Nr. 1907/2006 RoHS 2011/65/EU compliant		Scale %	Sheet 3 / 4

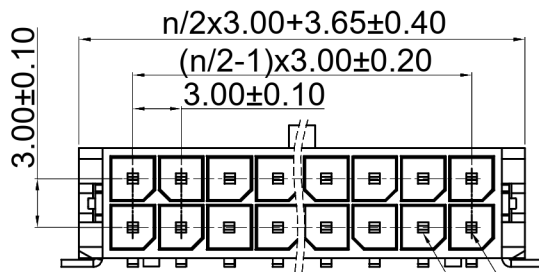
Copying of this document, and giving it to others and the use or communication of the contents thereof, are forbidden without express authority. Offenders are liable to the registration of a utility model or patent.

On release of the data sheet, previous releases are no longer valid. Dimensions and tolerances are subject to change.

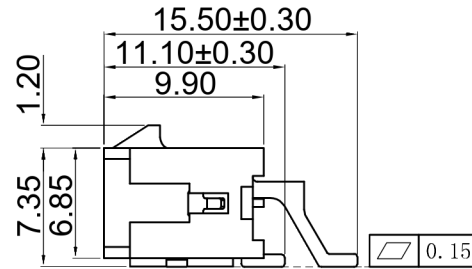


Circuit Size Layout

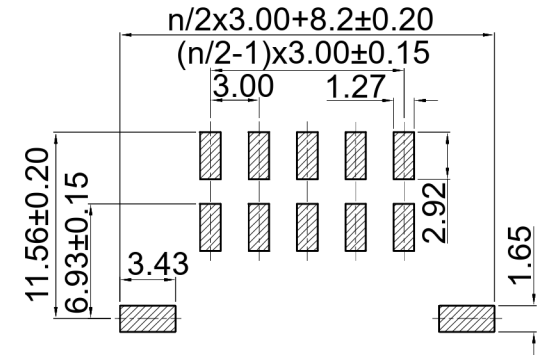
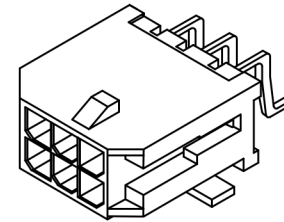
Insulator: Thermoplastic, rated UL94 V-0  
 Contact Material: Copper alloy, 0.64mm square pin  
 Contact Surface: Sn over Ni  
 Contact Resistance: 20 mΩ max.  
 Insulation Resistance: 1000 MΩ min.  
 Test Voltage: 1000 V AC / minute  
 Current Rating: 5 A AC/DC  
 Voltage Rating: 250 V AC DC  
 Temperature Range: -40 °C ... +105 °C  
 Processing Temperature: 230 °C for 30-60 seconds  
 (260 °C for 10 seconds)



Circuit 1  
Circuit 2



Recommended P.C.B Layout (Top Side)  
(PCB BOARD TOLERANCE ±0.05)



**Series** 46-5830 — **Contacts \*** 12 — **Type** 4 — **Plating** 50 — **Packaging \*** TR

02-24  
Zweireihig liegend  
Double row, horizontal

4  
Zweireihig liegend  
Double row, horizontal

50  
Verzinkt  
Tin plated

TR  
Tape & Reel

X	±0.30
.X	±0.25
.XX	±0.20
.XXX	±0.05
Angle	±1°
DIM	TOL



Serial Number 46-5830			
Part Name SMT Friction Lock Header, 3.00mm Pitch, Horizontal, Double Row			
Creation date 2022-05-23	Drawn AL	Approved PS	Approval date 2022-05-23
REACH (EG) Nr. 1907/2006 RoHS 2011/65/EU compliant		Scale %	Sheet 4 / 4

Copying of this document, and giving it to others and the use or communication of the contents thereof, are forbidden without express authority. Offenders are liable to the registration of a utility model or design.