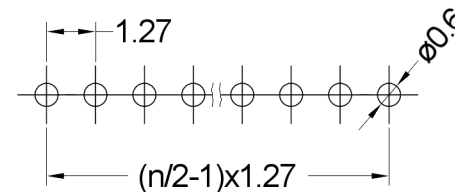


Insulator	Thermoplastic, rated UL94 V-0
Contact Material	Copper alloy
Contact Surface	Au over Ni
Contact Resistance	20 mΩ max.
Insulation Resistance	1000 MΩ min.
Test Voltage	500 V AC/DC
Current Rating	1 A
Temperature Range	-40 °C ... +105 °C
Processing Temperature	230 °C for 30-60 seconds (260 °C for 10 seconds)

Recommended PCB Layout (Top Side)
(PCB BOARD TOLERANCE ±0.05)



Series	Contacts *	Rows	Type	Height *	Plating
46-605	015 03-50 Einreihig Single row	1 1 Einreihig Single row	1 1 Gerade Straight	2 1 Bauhöhe 3,4mm Height 3.4mm 2 Bauhöhe 4,3mm Height 4.3mm	00 00 Vergoldet Gold plated

Mates with □0.40mm pin header

X.X	±0.30
X.XX	±0.20
X.XXX	±0.10
Angle	±3°
DIM	TOL

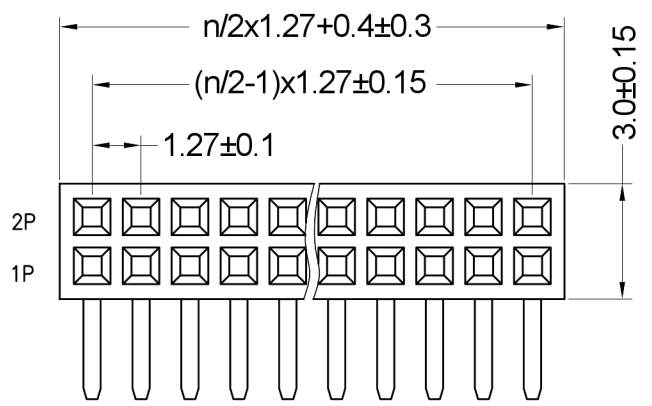


Serial Number 46-605			
Part Name SMT Female Header, 127mm Pitch, Straight, 3.4/4.3mm Profile			
Creation date 2019-01-03	Drawn AL	Approved PS	Approval date 2021-01-06
REACH (EG) Nr. 1907/2006 RoHS 2011/65/EU compliant		Scale %	Sheet 1/3

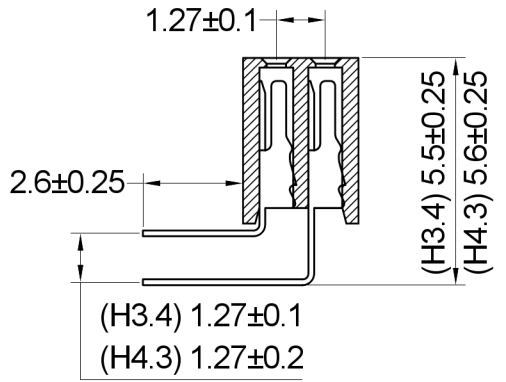
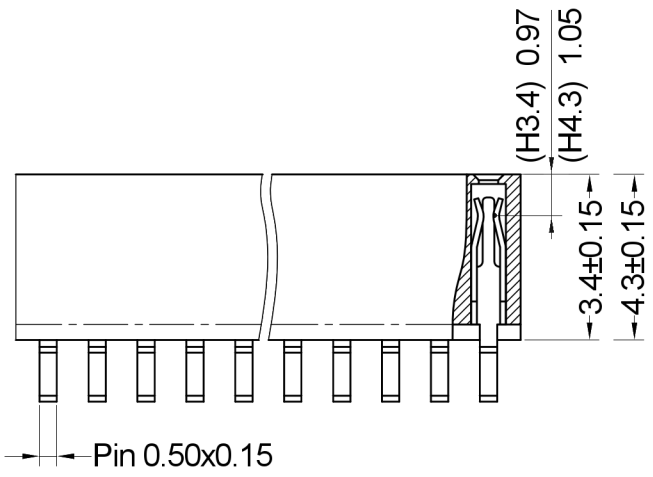
On release of the data sheet, previous releases are no longer valid. Dimensions and tolerances are subject to change.

Copying of this document, and giving it to others and the use or communication of the contents thereof, are forbidden without express authority. Offenders are liable to the registration of a utility model or design.

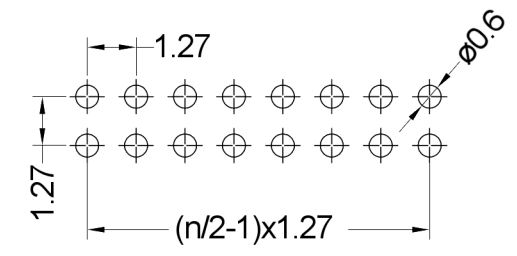
On release of the data sheet, previous releases are no longer valid. Dimensions and tolerances are subject to change.



Insulator	Thermoplastic, rated UL94 V-0
Contact Material	Copper alloy
Contact Surface	Au over Ni
Contact Resistance	20 mΩ max.
Insulation Resistance	1000 MΩ min.
Test Voltage	500 V AC/DC
Current Rating	1 A
Temperature Range	-40 °C ... +105 °C
Processing Temperature	230 °C for 30-60 seconds (260 °C for 10 seconds)



Recommended PCB Layout (Top Side)
(PCB BOARD TOLERANCE ±0.05)



Series	Contacts *	Rows	Type	Height *	Plating
46-605	006	2	2	2	00
	06-80 Zweireihig (H3.4) Double row (H3.4) 08-40 Zweireihig (H4.3) Double row (H4.3) Weitere Polzahlen auf Anfrage More numbers of contacts on request	2 Zweireihig Double row	2 Gewinkelt Right-angled	1 Bauhöhe 3,4mm Height 3.4mm 2 Bauhöhe 4,3mm Height 4.3mm	00 Vergoldet Gold plated

Mates with □0.40mm pin header

X.X	±0.30	W+P WE CONNECT IT	Serial Number 46-605			
X.XX	±0.20		Part Name SMT Female Header, 127mm Pitch, Right-Angled, Double Row, 3/4/4.3mm Profile			
X.XXX	±0.10		Creation date 2019-01-04	Drawn AL	Approved PS	Approval date 2021-01-06
Angle	±3°		REACH (EG) Nr. 1907/2006 RoHS 2011/65/EU compliant		Scale %	Sheet 3/3
DIM	TOL					

Copying of this document, and giving it to others and the use or communication of the contents thereof, are forbidden without express authority. Offenders are liable to the prosecution of the courts. In the event of the grant of a patent or the registration of a utility model or design.