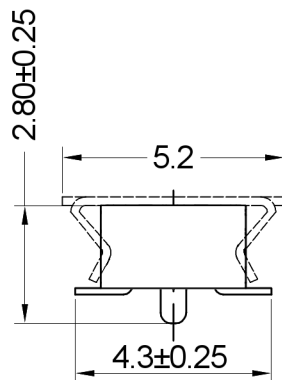
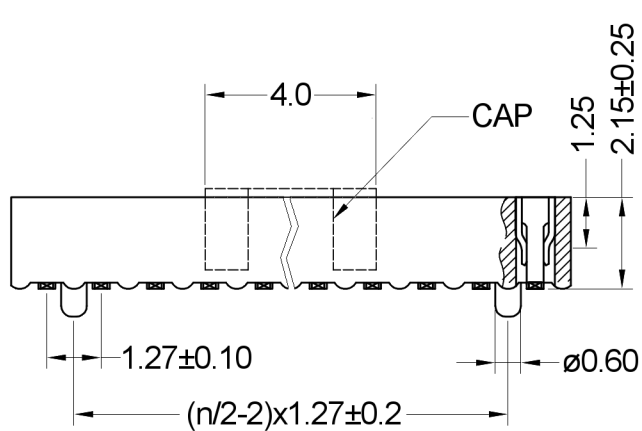
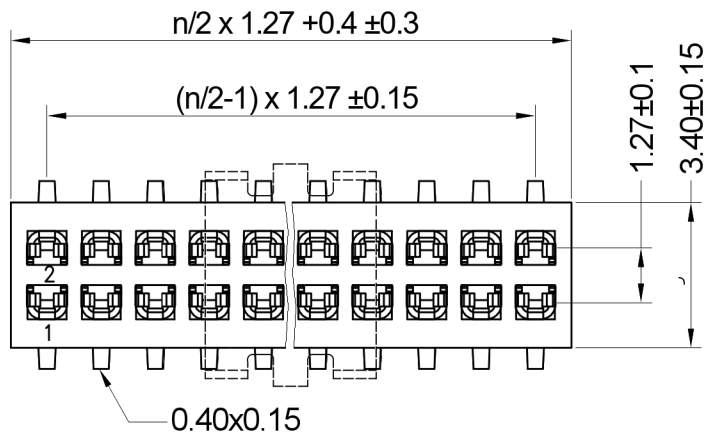
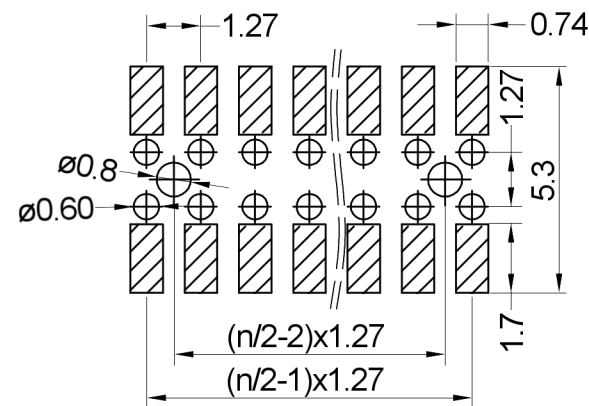


Insulator	Thermoplastic, rated UL94 V-0
Contact Material	Copper alloy
Contact Surface	Au over Ni
Contact Resistance	20 mΩ max.
Insulation Resistance	1000 MΩ min.
Test Voltage	500 V AC/DC
Current Rating	1.0 A
Temperature Range	-40 °C ... +105 °C
Processing Temperature	230 °C for 30-60 seconds (260 °C for 10 seconds)



Recommended P.C.B. Layout
(PCB Board Tolerance ±0.05)



Series **46-6061** Contacts* **040** Plating **00** Locating Pegs* **10** Packaging* **MPST**

006-080 Zweireihig
Double row

00 Vergoldet
Gold plated

00 Ohne Pos.hilfen
W/o loc. pegs
10 Mit Pos.hilfen
With loc. pegs

ST In Stangen ohne Metall Pads / In tubes w/o Metal Pads
MPST In Stangen mit Metall Pads / In tubes with Metal Pads
MPTR Tape & Reel mit Metall Pads / Tape & Reel with Metal Pads

Mates with □0.40mm pin header

X.X	±0.30
X.XX	±0.20
X.XXX	±0.10
Angle	±3°
DIM	TOL



Serial Number 46-6061			
Part Name SMT Female Header, 1.27mm Pitch, Vertical, Double Row - 2.15mm, Bottom Entry			
Creation date 2020-04-09	Drawn AL	Approved PS	Approval date 2022-06-29
REACH (EG) Nr. 1907/2006 RoHS 2011/65/EU compliant		Scale %	Sheet

On release of the data sheet, previous releases are no longer valid. Dimensions and tolerances are subject to change.

Copying of this document, and giving it to others and the use or communication of the contents thereof, are forbidden without express authority. Offenders are liable to the registration of a utility model or patent.