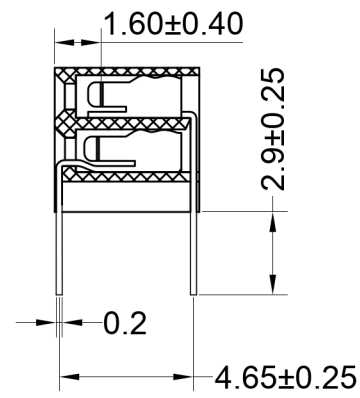
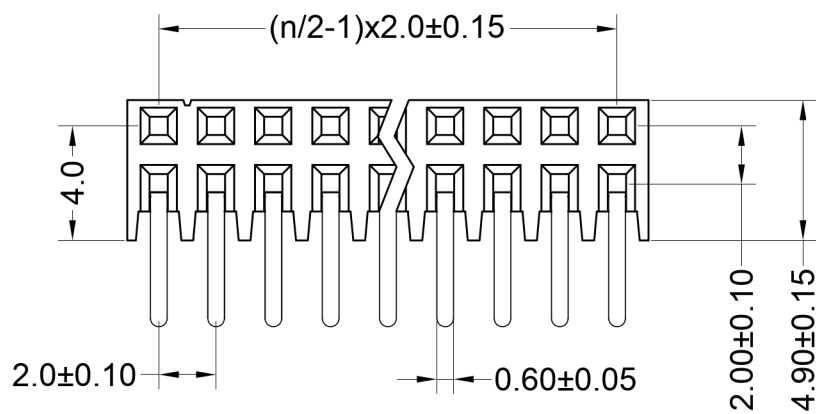
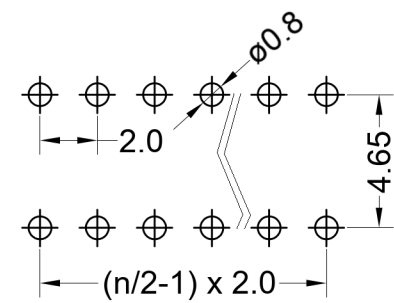


Insulator	Thermoplastic, rated UL94 V-0
Contact Material	Copper alloy
Contact Surface	Au over Ni
Contact Resistance	20 mΩ max.
Insulation Resistance	1000 MΩ min.
Test Voltage	500 V AC/DC
Current Rating	1.5 A
Temperature Range	-40 °C ... +105 °C
Processing Temperature	230 °C for 30-60 seconds (260 °C for 10 seconds)



Recommended PCB Layout (Top Side)
(PCB BOARD TOLERANCE ±0.05)



Series	Height	Contacts*	Rows	Plating
46-619	1	20	2	00
	1 Bauhöhe 4,9mm Height 4,9mm	04-40	2 Zweireihig Double row	00 Vergoldet Gold plated

Mates with □0.50mm pin header

X.X	±0.30
X.XX	±0.20
X.XXX	±0.10
Angle	±3°
DIM	TOL



Serial Number 46-619			
Part Name Female Header, 2.00mm Pitch, Side Entry, Double Row			
Creation date 2020-08-14	Drawn AL	Approved PS	Approval date 2021-12-07
REACH (EG) Nr. 1907/2006 RoHS 2011/65/EU compliant		Scale %	Sheet 1 / 1

On release of the data sheet, previous releases are no longer valid. Dimensions and tolerances are subject to change.

Copying of this document, and giving it to others and the use or communication of the contents thereof, are forbidden without express authority. Offenders are liable to the registration of a utility model or design.