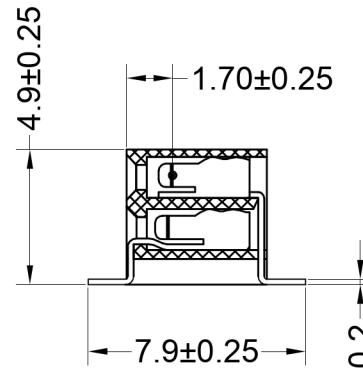
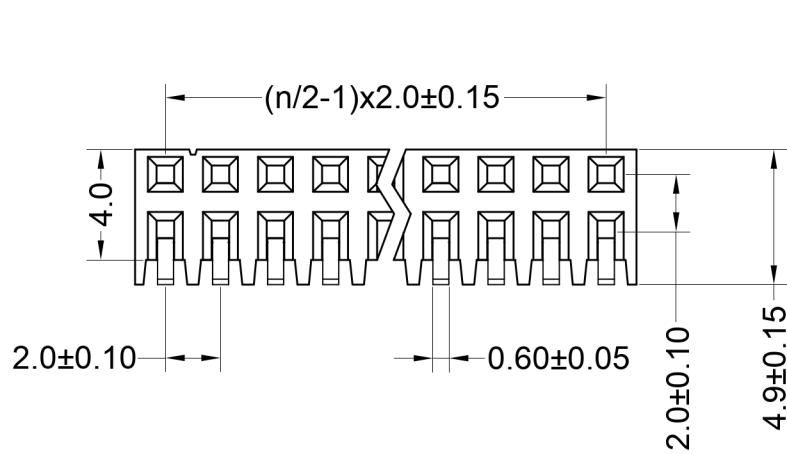
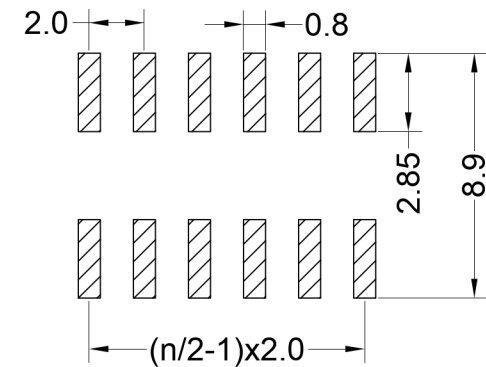


Insulator	Thermoplastic, rated UL94 V-0
Contact Material	Copper alloy
Contact Surface	Au over Ni
Contact Resistance	20 mΩ max.
Insulation Resistance	1000 MΩ min.
Test Voltage	500 V AC/DC
Current Rating	1.5 A
Temperature Range	-40 °C ... +105 °C
Processing Temperature	230 °C for 30-60 seconds (260 °C for 10 seconds)



Recommended PCB Layout (Top Side)
(PCB BOARD TOLERANCE ±0.05)



Series **46-6192** — Contacts* **06** — Plating **00** — Locating Pegs **00** — Packaging* **ST**

06-50 Zweireihig
Double row

00 Vergoldet
Gold plated

00 Ohne Pos.hilfen
W/o loc. pegs

ST In Stangen / In tubes
TR (Option) Tape & Reel / Tape & Reel

Mates with □0.50mm pin header

X.X	±0.30
X.XX	±0.20
X.XXX	±0.10
Angle	±3°
DIM	TOL



Serial Number 46-6192			
Part Name SMT Female Header, 2.00mm Pitch, Side Entry, Double Row			
Creation date 2020-06-23	Drawn AL	Approved PS	Approval date 2021-01-08
REACH (EG) Nr. 1907/2006 RoHS 2011/65/EU compliant		Scale %	Sheet 1 / 1

On release of the data sheet, previous releases are no longer valid. Product specifications are subject to change.

Copying of this document, and giving it to others and the use or communication of the contents thereof, are forbidden without express authority. Offenders are liable to the payment of damages and may be prosecuted in the event of the grant of a patent or the registration of a utility model or design.