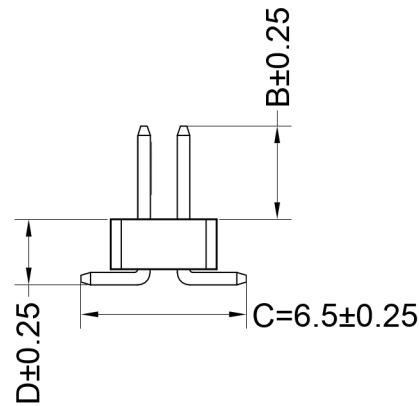
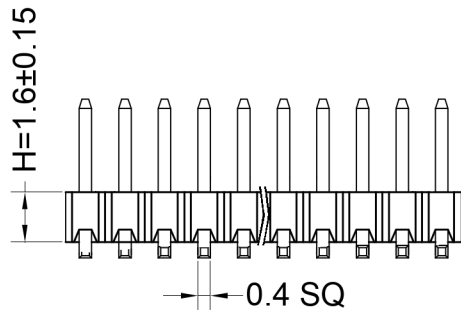
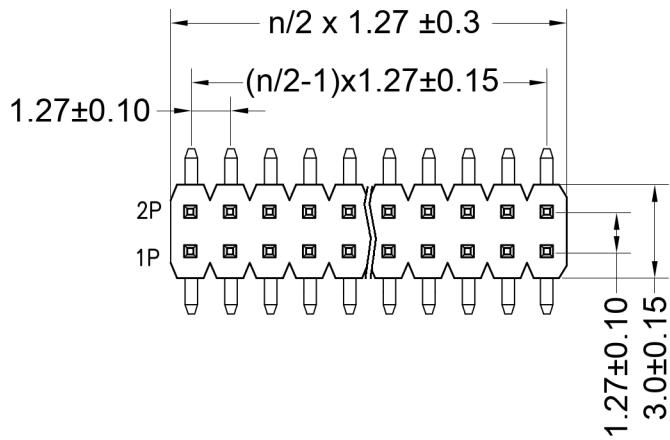


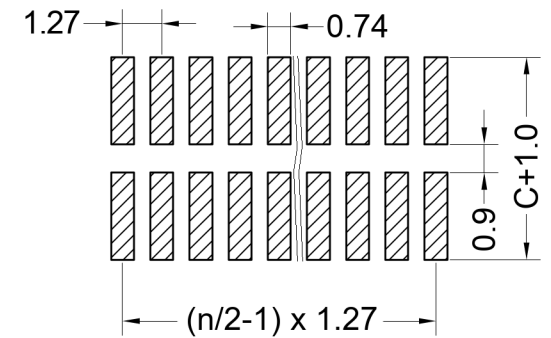
On release of the data sheet, previous releases are no longer valid. Dimensions and tolerances are subject to change.

Copying of this document, and giving it to others and the use or communication of the contents thereof, are forbidden without express authority. Offenders are liable to the registration of a utility model or design.



Insulator	Thermoplastic, rated UL94 V-0
Contact Material	Copper alloy
Contact Surface	Au over Ni
Contact Resistance	20 mΩ max.
Insulation Resistance	1000 MΩ min.
Test Voltage	500 V AC/DC
Current Rating	1 A
Temperature Range	-40 °C ... +105 °C
Processing Temperature	230 °C for 30-60 seconds (260 °C for 10 seconds)

Recommended P.C.B Layout(Top Side)  
(PCB BOARD TOLERANCE±0.05)



<b>Series</b>	<b>Contacts*</b>	<b>Insulator*</b>	<b>Dimensions*</b>	<b>Plating</b>	<b>Packaging*</b>
<b>46-7075</b>	<b>050</b> 004-050 Zweireihig Double row	<b>16</b> 16 H=1,60mm	<b>10</b> 10 B=6.00 D=3.60mm 20 B=6.00 D=3.30mm 30 B=6.00 D=4.20mm 99 Kundenspezifisch Customer-specific	<b>00</b> 00 Vergoldet Gold plated	<b>ST</b> ST PPST PPTR (Option)

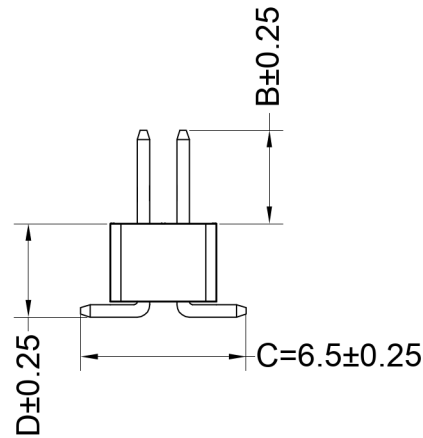
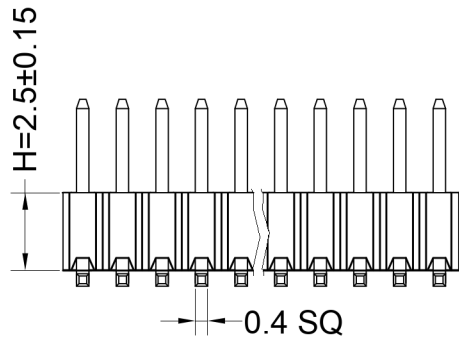
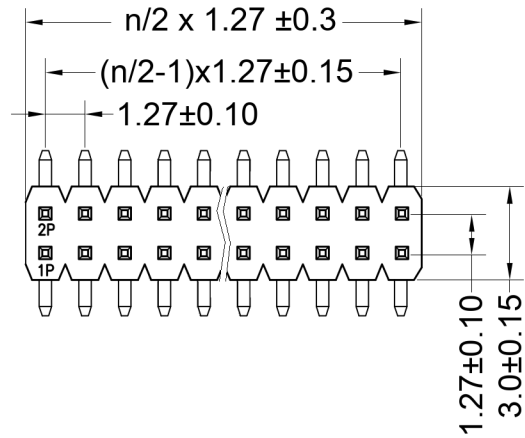
X.X	±0.30
X.XX	±0.20
X.XXX	±0.10
Angle	±3°
DIM	TOL



Serial Number <b>46-7075</b>			
Part Name SMT Pin Header, 1.27mm Pitch, Vertical, Double Row, H=1.6mm			
Creation date 2020-07-14	Drawn AL	Approved PS	Approval date 2021-12-07
REACH (EG) Nr. 1907/2006 RoHS 2011/65/EU compliant		Scale %	Sheet 1 / 2

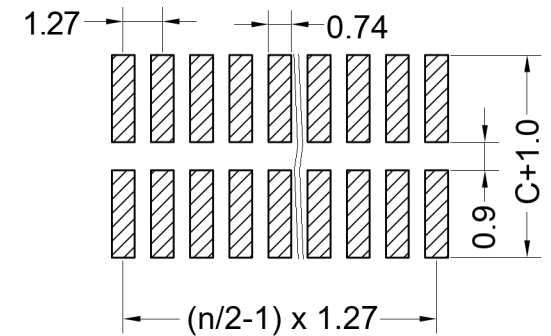
On release of the data sheet, previous releases are no longer valid. Dimensions are subject to change.

Copying of this document, and giving it to others and the use or communication of the contents thereof, are forbidden without express authority. Offenders are liable to the prosecution of the courts. In the event of the grant of a patent or the registration of a utility model or design.



Insulator	Thermoplastic, rated UL94 V-0
Contact Material	Copper alloy
Contact Surface	Au over Ni
Contact Resistance	20 mΩ max.
Insulation Resistance	1000 MΩ min.
Test Voltage	500 V AC/DC
Current Rating	1 A
Temperature Range	-40 °C ... +105 °C
Processing Temperature	230 °C for 30-60 seconds (260 °C for 10 seconds)

Recommended P.C.B Layout(Top Side)  
(PCB BOARD TOLERANCE±0.05)



<b>Series</b>	<b>Contacts*</b>	<b>Insulator</b>	<b>Dimensions*</b>	<b>Plating</b>	<b>Packaging*</b>
<b>46-7075</b>	<b>050</b> 004-050 Zweireihig Double row	<b>25</b> 25 H=2,50mm	<b>10</b> 10 B=6.00 D=3.60mm 20 B=6.00 D=3.30mm 30 B=6.00 D=4.20mm 99 Kundenspezifisch Customer-specific	<b>00</b> 00 Vergoldet Gold plated	<b>ST</b> ST PPST PPTR (Option)

X.X	±0.30
X.XX	±0.20
X.XXX	±0.10
Angle	±3°
DIM	TOL



Serial Number <b>46-7075</b>			
Part Name SMT Pin Header, 1.27mm Pitch, Vertical, Double Row, H=2.5mm			
Creation date 2020-07-14	Drawn AL	Approved PS	Approval date 2021-12-07
REACH (EG) Nr. 1907/2006 RoHS 2011/65/EU compliant		Scale %	Sheet 2 / 2