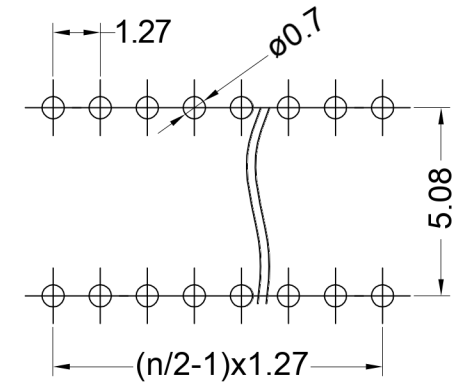
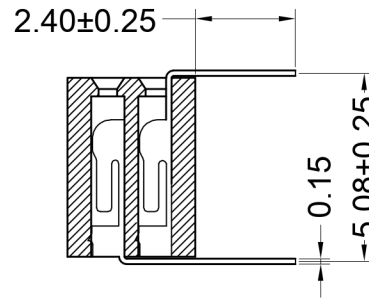
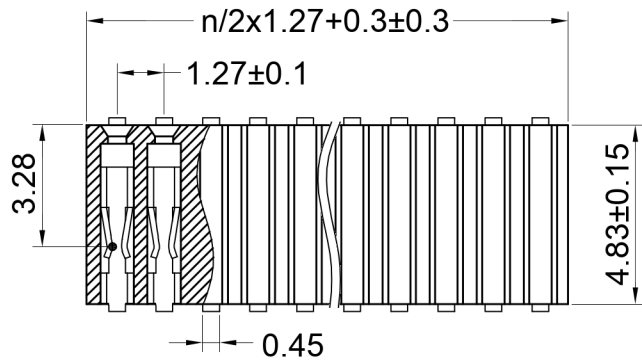
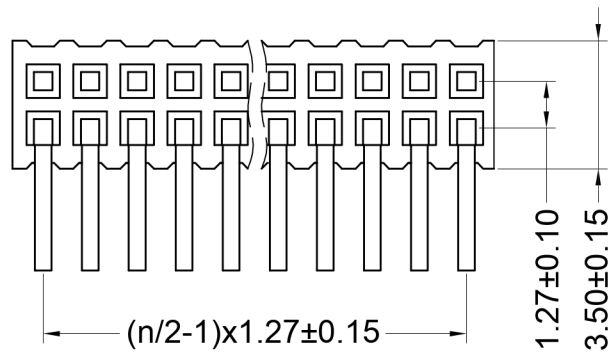


On release of the data sheet, previous releases are no longer valid. Dimensions and tolerances are subject to change.

Copying of this document, and giving it to others and the use or communication of the contents thereof, are forbidden without express authority. Offenders are liable to the payment of damages and may be prosecuted in the event of the grant of a patent or the registration of a utility model or design.



Recommended PCB Layout (Top Side)
(PCB BOARD TOLERANCE ±0.05)

Mates with □0.40mm pin header

Insulator	Thermoplastic, rated UL94 V-0
Contact Material	Copper alloy
Contact Surface	Au over Ni
Contact Resistance	20 mΩ max.
Insulation Resistance	1000 MΩ min.
Test Voltage	500 V AC/DC
Current Rating	1.0 A
Temperature Range	-40 °C ... +105 °C
Processing Temperature	230 °C for 30-60 seconds (260 °C for 10 seconds)

Series	Contacts*	Plating
46-713	060	00
	006-080 Zweireihig Double row	00 Vergoldet Gold plated

X.X	±0.30
X.XX	±0.20
X.XXX	±0.10
Angle	±3°
DIM	TOL



Serial Number 46-713			
Part Name Female Header, 1.27mm Pitch, Side Entry, Double Row			
Creation date 2020-07-30	Drawn AL	Approved PS	Approval date 2021-01-07
REACH (EG) Nr. 1907/2006		Scale %	Sheet
RoHS 2011/65/EU compliant			