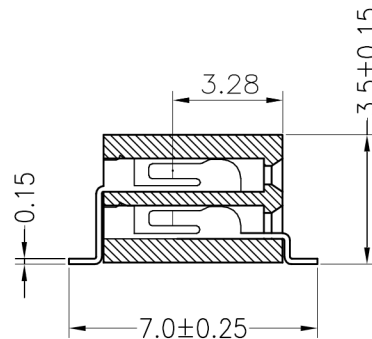
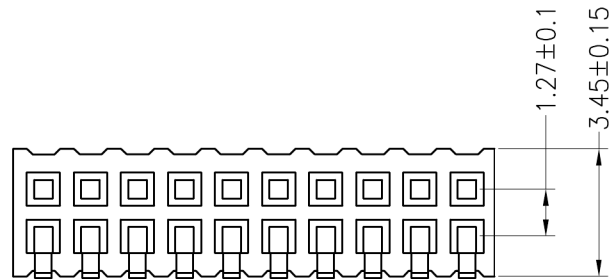
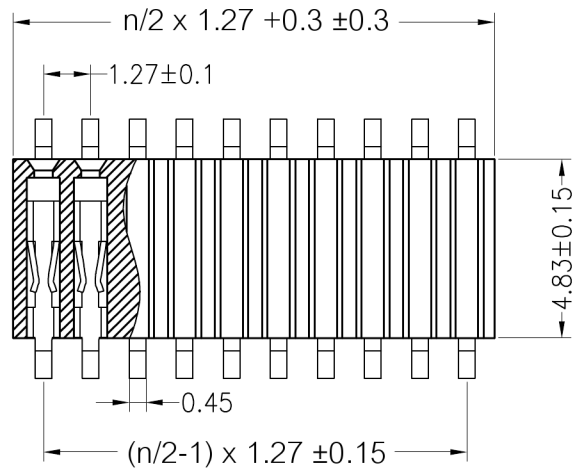


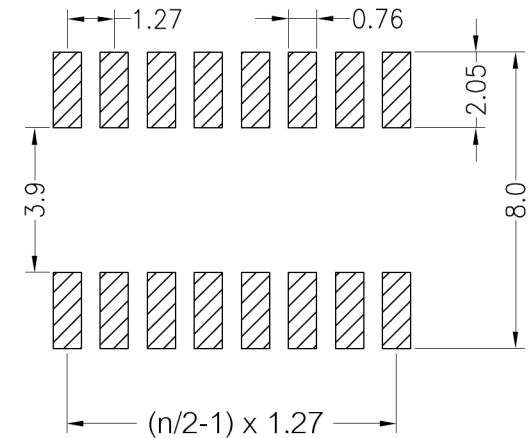
On release of the data sheet, previous releases are no longer valid. Dimensions and tolerances are subject to change.

Copying of this document, and giving it to others and the use or communication of the contents thereof, are forbidden without express authority. Offenders are liable to the payment of damages. In the event of the grant of a patent or the registration of a utility model or design.



Insulator	Thermoplastic, rated UL94 V-0
Contact Material	Copper alloy
Contact Surface	Au over Ni
Contact Resistance	20 mΩ max.
Insulation Resistance	1000 MΩ min.
Test Voltage	500 V AC/DC
Current Rating	1.0 A
Temperature Range	-40 °C ... +105 °C
Processing Temperature	230 °C for 30-60 seconds (260 °C for 10 seconds)

Recommended PCB Layout (Top Side)
(PCB BOARD TOLERANCE ±0.05)



Series	Contacts *	Plating	Locating Pegs	Packaging *
46-7130	026	00	00	FTR
	006-060 Zweireihig Double row	00 Vergoldet Gold plated	00 Ohne Pos.hilfen W/o loc. pegs	FST In Stangen mit Film Pad / In tubes with Film Pad FTR Tape & Reel mit Film Pad / Tape & Reel with Film Pad

Mates with □0.40mm pin header

X.X	±0.30
X.XX	±0.20
X.XXX	±0.10
Angle	±3°
DIM	TOL



Serial Number 46-7130			
Part Name SMT Female Header, 1.27mm Pitch, Side Entry, Double Row			
Creation date 2019-08-07	Drawn AL	Approved PS	Approval date 2022-02-23
REACH (EG) Nr. 1907/2006 RoHS 2011/65/EU compliant		Scale %	Sheet