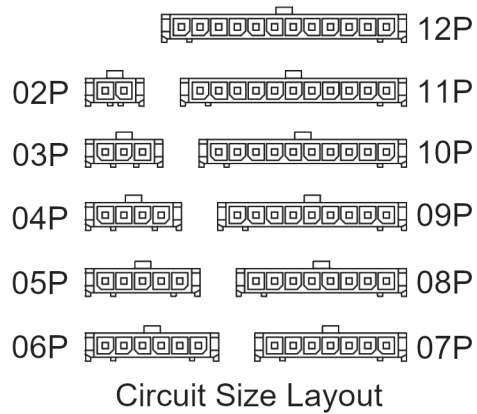
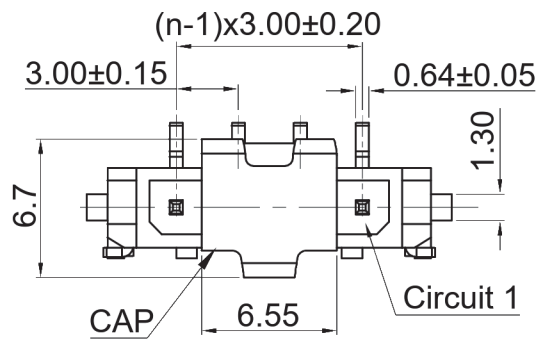
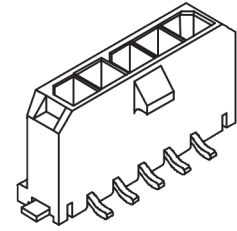
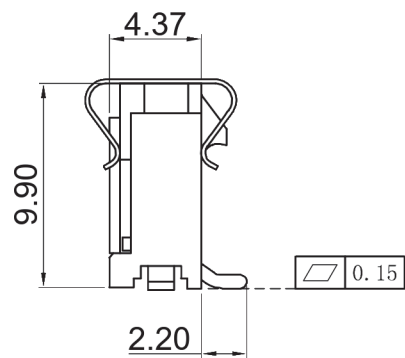
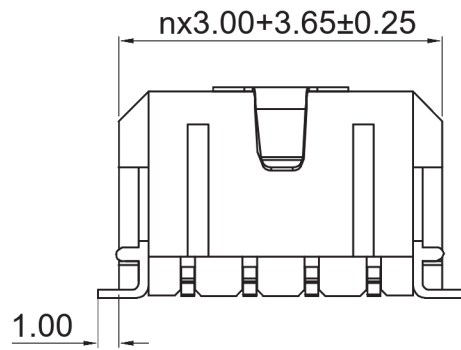


On release of the data sheet, previous releases are no longer valid. Dimensions and tolerances are subject to change.

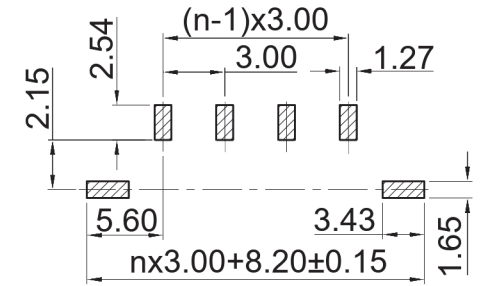
Copying of this document, and giving it to others and the use or communication of the contents thereof, are forbidden without express authority. Offenders are liable to the registration of a utility model or design.



Insulator:	Thermoplastic, rated UL94 V-0
Contact Material:	Copper alloy, 0.64mm square pin
Contact Surface:	Sn over Ni
Contact Resistance:	20 mΩ max.
Insulation Resistance:	1000 MΩ min.
Test Voltage:	1000 V AC / minute
Current Rating:	5 A AC/DC
Voltage Rating:	250 V AC DC
Temperature Range:	-40 °C ... +105 °C
Processing Temperature:	230 °C for 30-60 seconds (260 °C for 10 seconds)



Recommended P.C.B Layout (Top Side)
(PCB BOARD TOLERANCE ±0.05)



Series	Contacts *	Type	Plating	Packaging *
46-5830	10 02-12 Einreihig Single row	1 1 Einreihig stehend Single row, vertical	50 50 Verzinkt Tin plated	PPTR PPTR Tape & Reel mit P&P-Pads / Tape & Reel with P&P-Pads

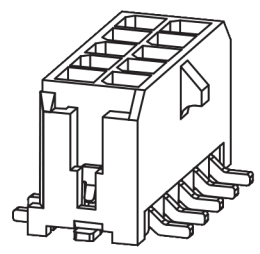
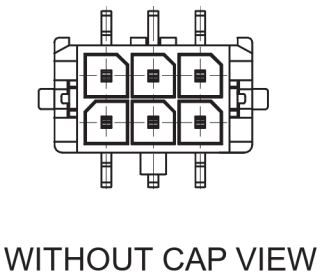
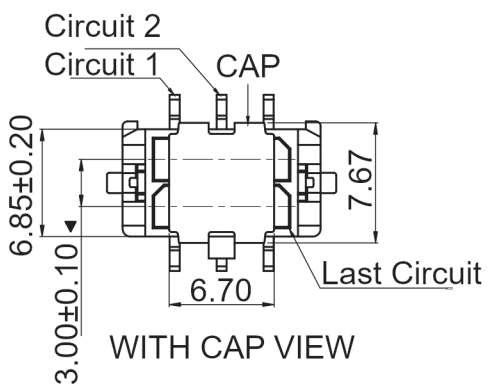
X	±0.30
.X	±0.25
.XX	±0.20
.XXX	±0.05
Angle	±1°
DIM	TOL



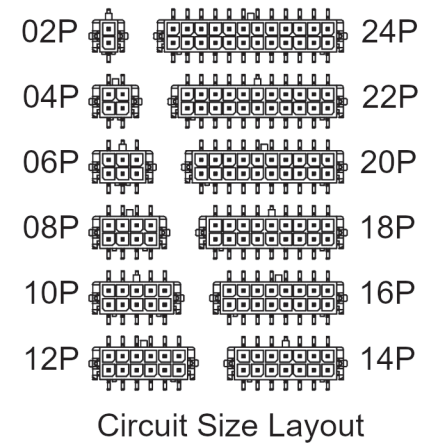
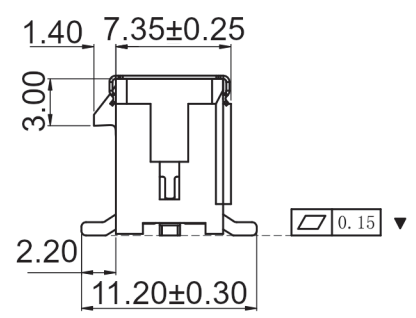
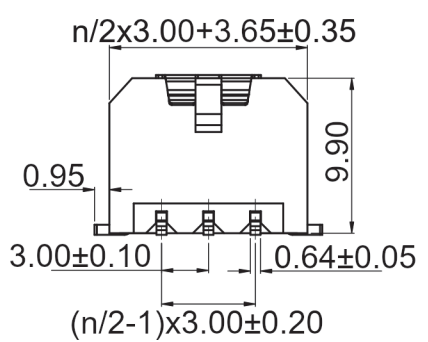
Serial Number 46-5830			
Part Name SMT Friction Lock Header, 3.00mm Pitch, Vertical, Single Row			
Creation date 2022-05-23	Drawn AL	Approved PS	Approval date 2022-05-23
REACH (EG) Nr: 1907/2008 RoHS 2011/65/EU compliant		Scale %	Sheet 1/4

On release of the data sheet, previous releases are no longer valid. Dimensions and tolerances are subject to change.

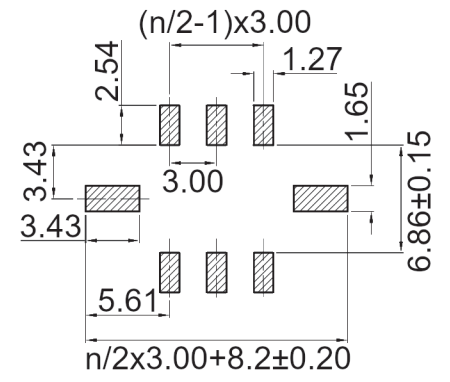
Copying of this document, and giving it to others and the use or communication of the contents thereof, are forbidden without express authority. Offenders are liable to the registration of a utility model or design.



Insulator:	Thermoplastic, rated UL94 V-0
Contact Material:	Copper alloy, 0.64mm square pin
Contact Surface:	Sn over Ni
Contact Resistance:	20 mΩ max.
Insulation Resistance:	1000 MΩ min.
Test Voltage:	1500 V AC / minute
Current Rating:	5 A AC/DC
Voltage Rating:	250 V AC DC
Temperature Range:	-40 °C ... +105 °C
Processing Temperature:	230 °C for 30-60 seconds (260 °C for 10 seconds)



Recommended P.C.B Layout (Top Side)
(PCB BOARD TOLERANCE ±0.05)



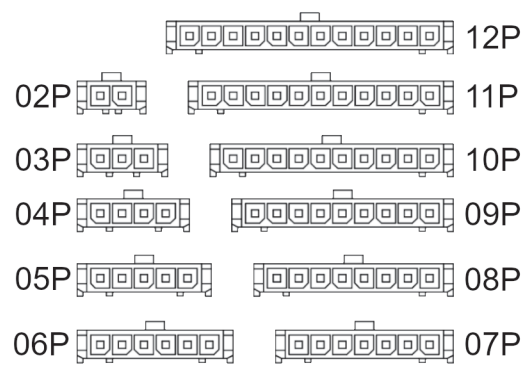
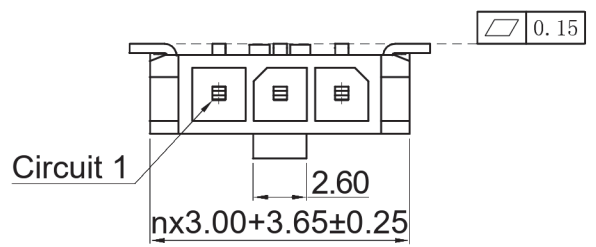
Series	Contacts *	Type	Plating	Packaging *
46-5830	06 02-24	2 2 Zweireihig stehend Single row, vertical	50 50 Verzinkt Tin plated	PPTR PPTR Tape & Reel mit P&P-Pads / Tape & Reel with P&P-Pads

X	±0.30
.X	±0.25
.XX	±0.20
.XXX	±0.05
Angle	±1°
DIM	TOL



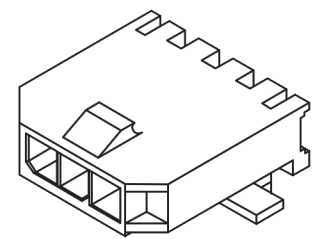
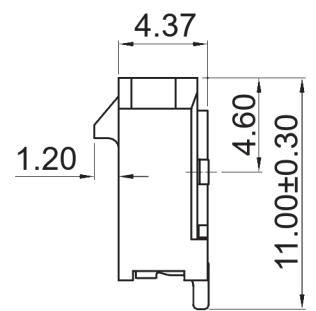
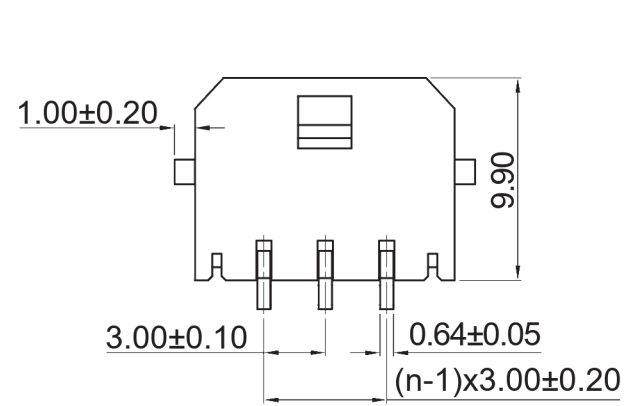
Serial Number 46-5830			
Part Name SMT Friction Lock Header, 3.00mm Pitch, Vertical, Double Row			
Creation date 2022-05-23	Drawn AL	Approved PS	Approval date 2024-12-10
REACH (EG) Nr. 1907/2006 RoHS 2011/65/EU compliant		Scale %	Sheet 2 / 4

On release of the data sheet, previous releases are no longer valid. Dimensions and tolerances are subject to change.

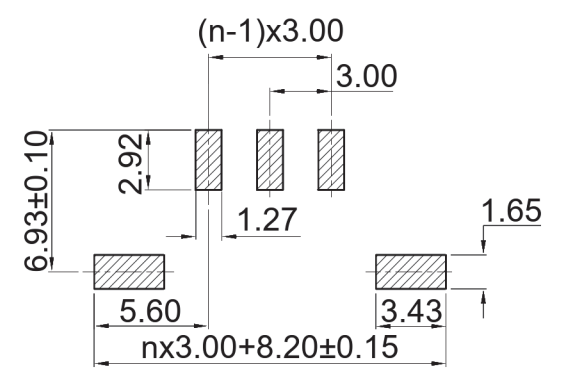


Circuit Size Layout

Insulator:	Thermoplastic, rated UL94 V-0
Contact Material:	Copper alloy, 0.64mm square pin
Contact Surface:	Sn over Ni
Contact Resistance:	20 mΩ max.
Insulation Resistance:	1000 MΩ min.
Test Voltage:	1500 V AC / minute
Current Rating:	5 A AC/DC
Voltage Rating:	250 V AC DC
Temperature Range:	-40 °C ... +105 °C
Processing Temperature:	230 °C for 30-60 seconds (260 °C for 10 seconds)



Recommended P.C.B Layout(Top Side)
(PCB BOARD TOLERANCE±0.05)



Series	Contacts *	Type	Plating	Packaging *
46-5830	08	3	50	TR
	02-12 Einreihig Single row	3 Einreihig liegend Single row, horizontal	50 Verzinkt Tin plated	TR Tape & Reel

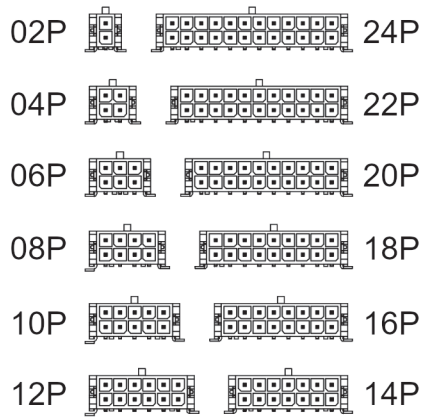
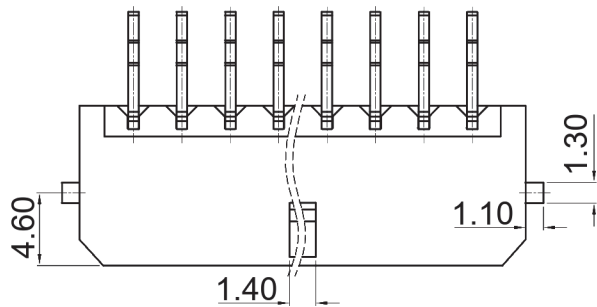
X	±0.30
.X	±0.25
.XX	±0.20
.XXX	±0.05
Angle	±1°
DIM	TOL



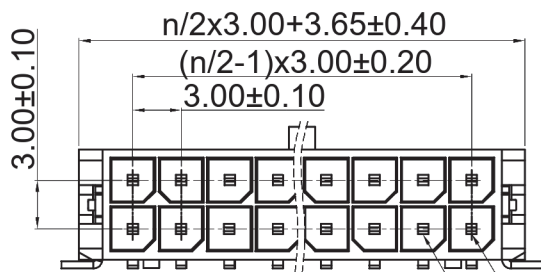
Serial Number 46-5830			
Part Name SMT Friction Lock Header, 3.00mm Pitch, Horizontal, Single Row			
Creation date 2022-05-23	Drawn AL	Approved PS	Approval date 2022-05-23
REACH (EG) Nr. 1907/2006 RoHS 2011/65/EU compliant		Scale %	Sheet 3 / 4

Copying of this document, and giving it to others and the use or communication of the contents thereof, are forbidden without express authority. Offenders are liable to the prosecution in the event of the grant of a patent or the registration of a utility model or design.

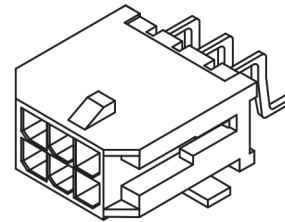
On release of the data sheet, previous releases are no longer valid. Dimensions and tolerances are subject to change.



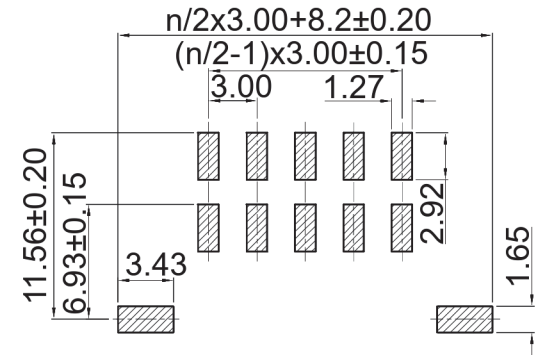
Circuit Size Layout



Circuit 1
Circuit 2



Recommended P.C.B Layout(Top Side)
(PCB BOARD TOLERANCE±0.05)



Series **46-5830** — **Contacts *** **12** — **Type** **4** — **Plating** **50** — **Packaging *** **TR**

02-24
Zweireihig liegend
Double row, horizontal

4 Zweireihig liegend
Double row, horizontal

50 Verzinkt
Tin plated

TR Tape & Reel

Insulator: Thermoplastic, rated UL94 V-0
 Contact Material: Copper alloy, 0.64mm square pin
 Contact Surface: Sn over Ni
 Contact Resistance: 20 mΩ max.
 Insulation Resistance: 1000 MΩ min.
 Test Voltage: 1000 V AC / minute
 Current Rating: 5 A AC/DC
 Voltage Rating: 250 V AC DC
 Temperature Range: -40 °C ... +105 °C
 Processing Temperature: 230 °C for 30-60 seconds
 (260 °C for 10 seconds)

Copying of this document, and giving it to others and the use or communication of the contents thereof, are forbidden without express authority. Offenders are liable to the registration of a utility model or design.

X	±0.30
.X	±0.25
.XX	±0.20
.XXX	±0.05
Angle	±1°
DIM	TOL



Serial Number 46-5830			
Part Name SMT Friction Lock Header, 3.00mm Pitch, Horizontal, Double Row			
Creation date 2022-05-23	Drawn AL	Approved PS	Approval date 2022-05-23
REACH (EG) Nr. 1907/2008 RoHS 2011/65/EU compliant		Scale %	Sheet 4 / 4