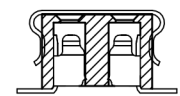
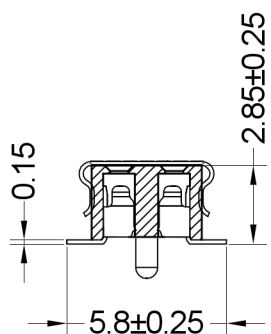
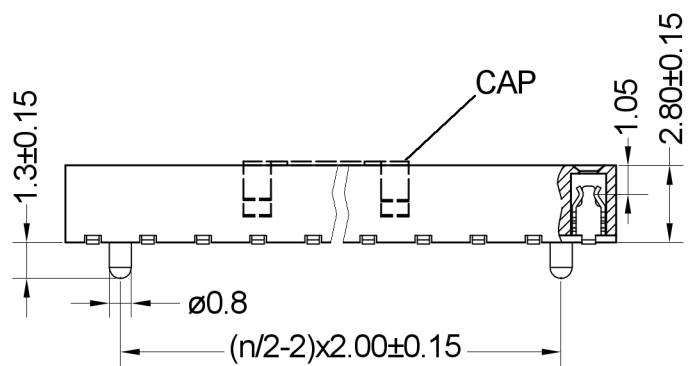
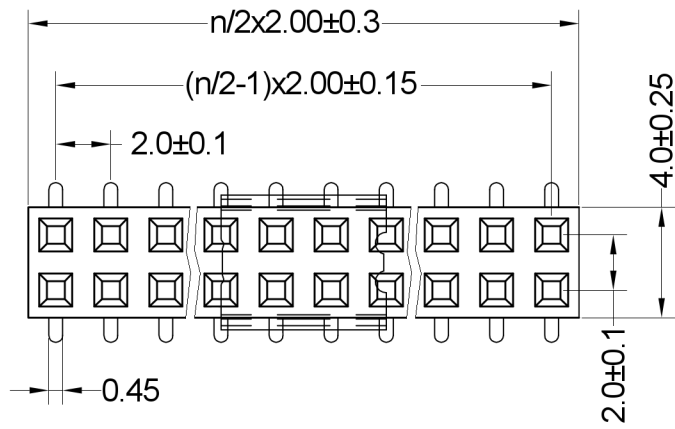


On release of the data sheet, previous releases are no longer valid. Dimensions are subject to change.

Copying of this document, and giving it to others and the use or communication of the contents thereof, are forbidden without express authority. Offenders are liable to the registration of a utility model or design.



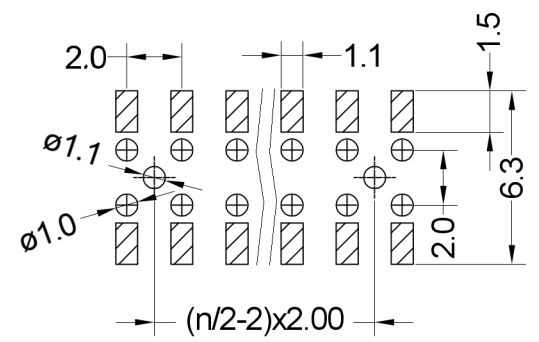
Locating Pegs  
Option -10-

without Locating Pegs  
Option -00-

### SPECIFICATIONS

Rated Current:	1.5 A
Contact Resistance:	20mΩ max.
Withstand Voltage:	500V AC/DC
Insulation Resistance:	1000MΩ min.
Operation Temperature:	-40°C to +105°C
Contact Material:	Phosphor bronze
Contact Plating:	Au over Ni
Insulator Material:	PA6T, UL94V-0
Max. Processing Temp:	230°C for 30-60 seconds (260°C for 10 seconds)

### Recommended PCB Layout (Top Side) (PCB BOARD TOLERANCE ±0.05)



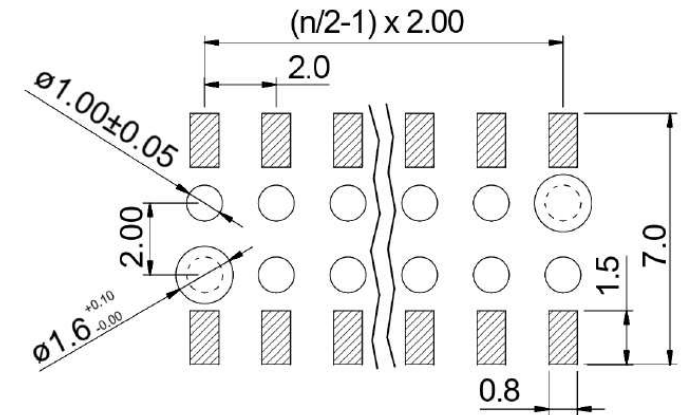
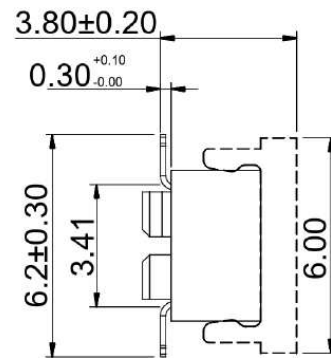
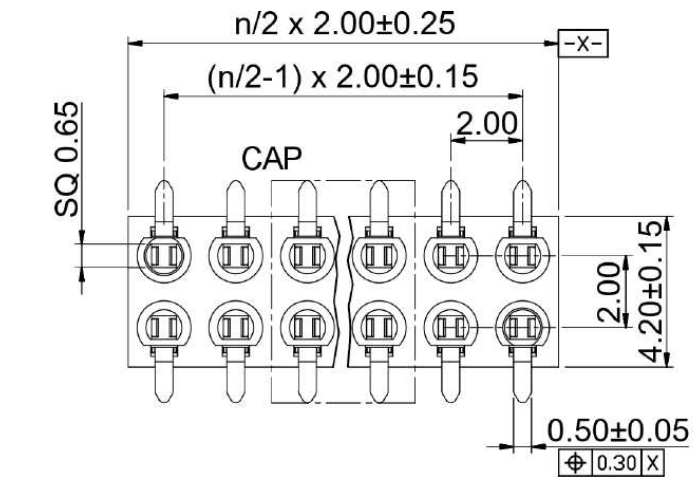
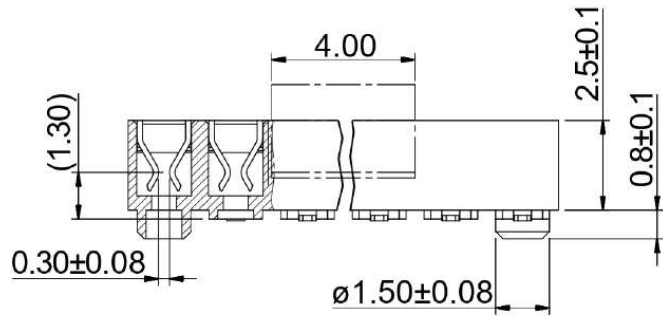
Mates with □0.50mm pin header

<b>Series</b>	<b>Contacts *</b>	<b>Type</b>	<b>Plating</b>	<b>Locating Pegs *</b>	<b>Packaging *</b>
<b>46-7450</b>	<b>20</b> 04-80 Type 10	<b>10</b> 10 H=2,8mm, Eingang oben H=2.8mm, top entry	<b>00</b> 00 Vergoldet Gold plated	<b>10</b> 00 Ohne Pos.hilfen W/o loc. pegs 10 Mit Pos.hilfen With loc. pegs	<b>MPTR</b> ST MPST MPTR

X.X	±0.30
X.XX	±0.20
X.XXX	±0.10
Angle	±3°
DIM	TOL



Serial Number <b>46-7450 (Type 10)</b>			
Part Name SMT-Female Header 2.00mm Pitch, Vertical, 2 Row - Pass Through			
Creation date 2020-12-22	Drawn AL	Approved PS	Approval date 2021-09-22
RoHS 2011/65/EU compliant		Scale %	Sheet 2/2



Recommended PCB Layout (Top Side)  
(PCB BOARD TOLERANCE ±0.05)

<b>Series</b>	<b>Contacts *</b>	<b>Type</b>	<b>Plating</b>	<b>Locating Pegs</b>	<b>Packaging *</b>
<b>46-7450</b>	<b>20</b> 04-44	<b>11</b> 11 H=2,8mm, Eingang unten H=2.8mm, bottom entry	<b>00</b> 00 Vergoldet Gold plated	<b>10</b> 10 Mit Pos.hilfen With loc. pegs	<b>PPTR</b> ST PPST PPTR

X.X	±0.40
X.XX	±0.25
X.XXX	±0.15
Angle	±3°
DIM	TOL



Serial Number <b>46-7450 (Type 11)</b>			
Part Name SMT-Female Header 2.00mm Pitch, Vertical, 2 Row - Dual Entry			
Creation date 2022-05-11	Drawn AL	Approved PS	Approval date 2023-08-31
RoHS 2011/65/EU compliant		Scale %	Sheet 2/4

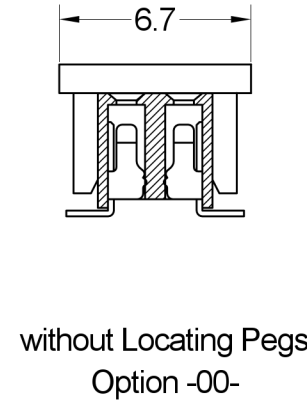
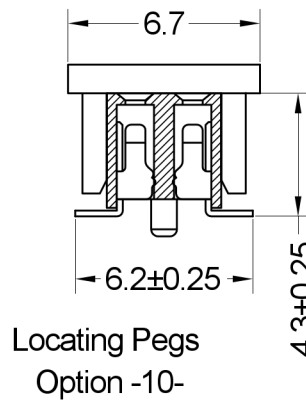
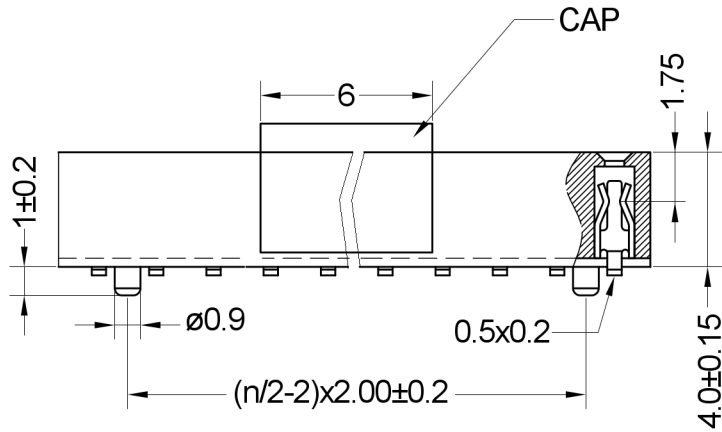
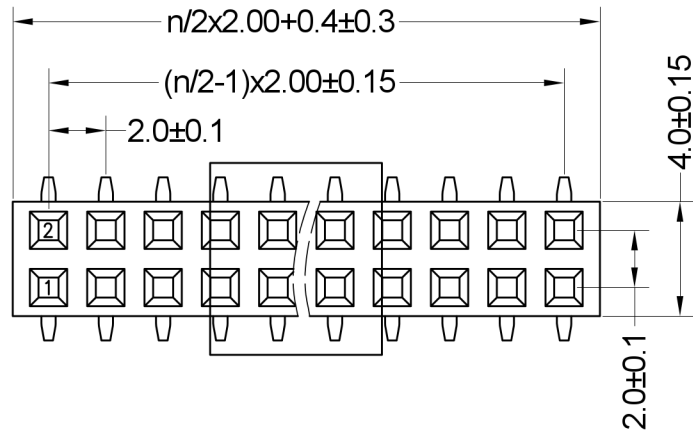
### SPECIFICATIONS

Rated Current:	2.0 A
Contact Resistance:	20 mΩ max.
Withstand Voltage:	500 V AC/DC
Insulation Resistance:	1000 MΩ min.
Operation Temperature:	-40° C to +125° C
Contact Material:	Phosphor bronze
Contact Plating:	Au over Ni
Insulator Material:	PA9T+33%G.F, UL94 V-0
Max.Processing Temp:	230°C for 30-60 seconds (260°C for 5 seconds)

On release of the data sheet, previous releases are no longer valid. Dimensions and drawings are subject to change.

Copying of this document, and giving it to others and the use or communication of the contents thereof, are forbidden without express authority. Offenders are liable to the payment of damages and may be prosecuted in the event of a patent or the registration of a utility model or design.

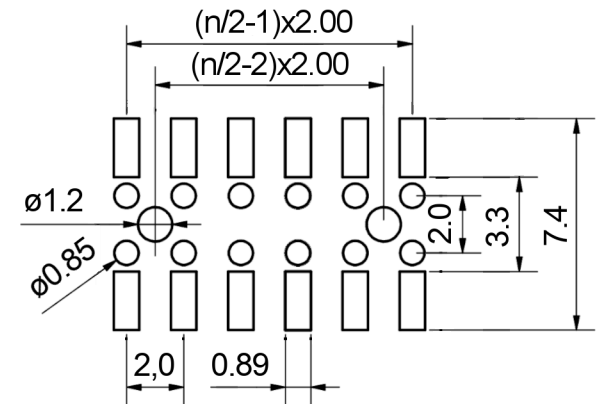
On release of the data sheet, previous releases are no longer valid. Dimensions and tolerances are subject to change.



### SPECIFICATIONS

Rated Current:	1.5 A
Contact Resistance:	20mΩ max.
Withstand Voltage:	500V AC/DC
Insulation Resistance:	1000MΩ min.
Operation Temperature:	-40°C to +105°C
Contact Material:	Phosphor bronze
Contact Plating:	Au over Ni
Insulator Material:	PA6T, UL94V-0
Max.Processing Temp:	230°C for 30-60 seconds (260°C for 10 seconds)

### Recommended P.C.B Layout (Top Side) (PCB BOARD TOLERANCE ±0.05)



<b>Series</b>	<b>Contacts*</b>	<b>Type</b>	<b>Plating</b>	<b>Locating Pegs*</b>	<b>Packaging*</b>
<b>46-7450</b>	<b>20</b> 04-80 Type 20	<b>20</b> 20 H=4,3mm, Eingang oben H=4.3mm, top entry	<b>00</b> Vergoldet Gold plated	<b>10</b> 00 Ohne Pos.hilfen W/o loc. pegs 10 Mit Pos.hilfen With loc. pegs	<b>PPTR</b> ST PPST PPTR

Mates with □0.50mm pin header

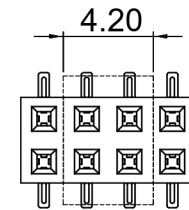
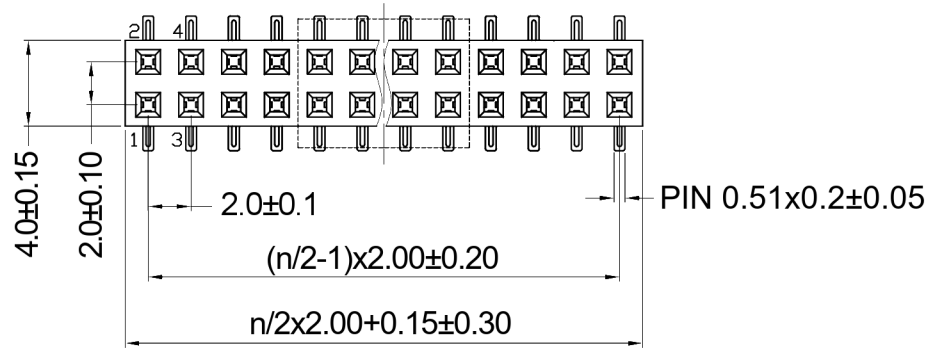
X.X	±0.30
X.XX	±0.20
X.XXX	±0.10
Angle	±3°
DIM	TOL



Serial Number <b>46-7450 (Type 20)</b>			
Part Name SMT-Female Header 2.00mm Pitch, Vertical, 2 Row - Pass Through			
Creation date 2020-12-22	Drawn AL	Approved PS	Approval date 2021-01-08
RoHS 2011/65/EU compliant		Scale %	Sheet 1/2

Copying of this document, and giving it to others and the use or communication of the contents thereof, are forbidden without express authority. Offenders are liable to the registration of a utility model or design.

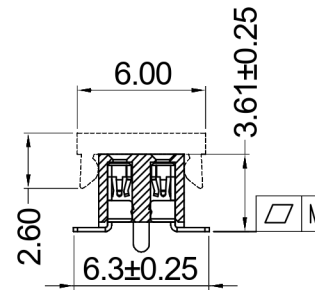
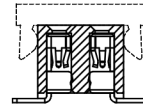
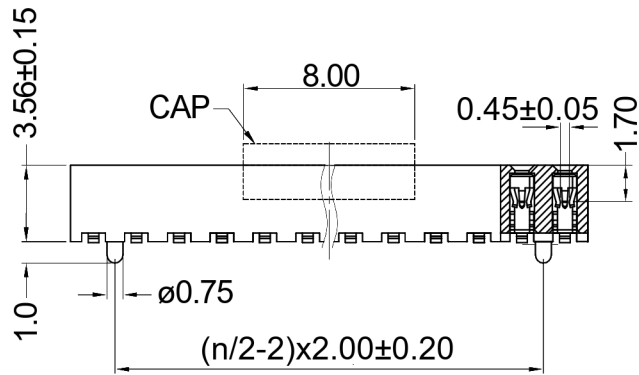
On release of the data sheet, previous releases are no longer valid. Dimensions and tolerances are subject to change.



CAP for  
2x02P~2x04P

### SPECIFICATIONS

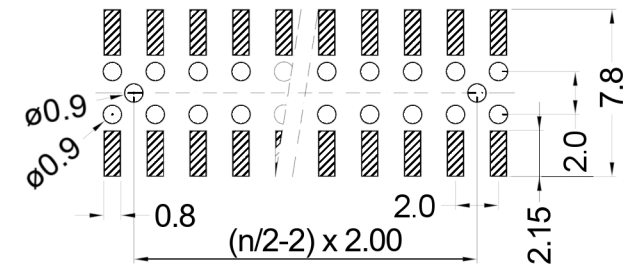
Rated Current:	2.0 A
Contact Resistance:	20 mΩ max.
Withstand Voltage:	500 V AC/DC
Insulation Resistance:	1000 MΩ min.
Operation Temperature:	-40°C to +125°C
Contact Material:	Phosphor bronze
Contact Plating:	Au over Ni
Insulator Material:	PA9T, UL94 V-0
Max.Processing Temp:	230°C for 30-60 seconds (260°C for 10 seconds)



without Locating Pegs  
Option -00-

with Locating Pegs  
Option -10-

Recommended PCB Layout (Top Side)  
(PCB BOARD TOLERANCE ±0.05)



<b>Series</b>	<b>Contacts *</b>	<b>Type</b>	<b>Plating</b>	<b>Locating Pegs *</b>	<b>Packaging *</b>
<b>46-7450</b>	<b>20</b> 04-50	<b>30</b> 30 H=3,6mm, Eingang oben H=3,6mm, top entry	<b>00</b> 00 Vergoldet Gold plated	<b>10</b> 00 Ohne Pos.hilfen W/o loc. pegs 10 Mit Pos.hilfen With loc. pegs	<b>PPTR</b> ST PPST PPTR

XX	±0.30
X.XX	±0.20
X.XXX	±0.10
Angle	±3°
DIM	TOL



Serial Number <b>46-7450 (Type 30)</b>			
Part Name SMT-Female Header 2.00mm Pitch, 2 Row - Pass Through			
Creation date 2022-04-04	Drawn AL	Approved PS	Approval date 2022-05-12
RoHS 2011/65/EU compliant		Scale %	Sheet 3/3

Copying of this document, and giving it to others and the use or communication of the contents thereof, are forbidden without express authority. Offenders are liable to the registration of a utility model or design.