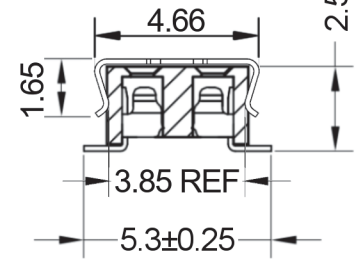
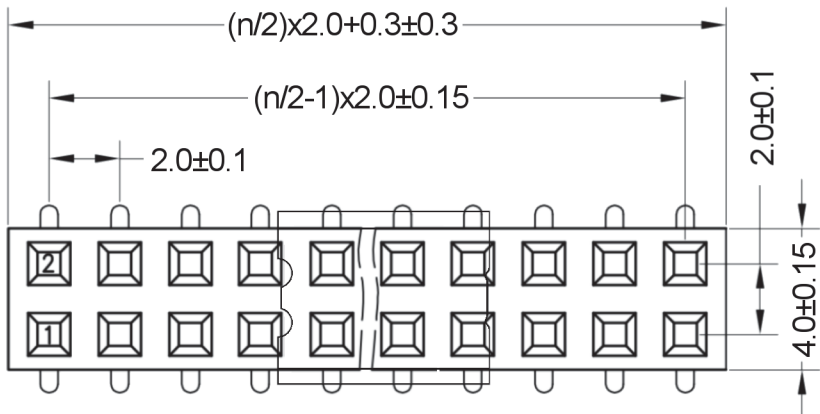
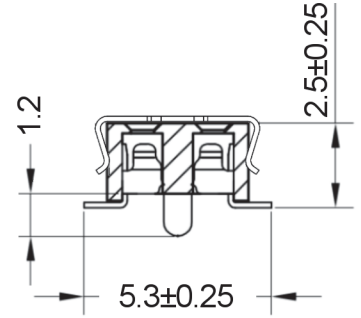
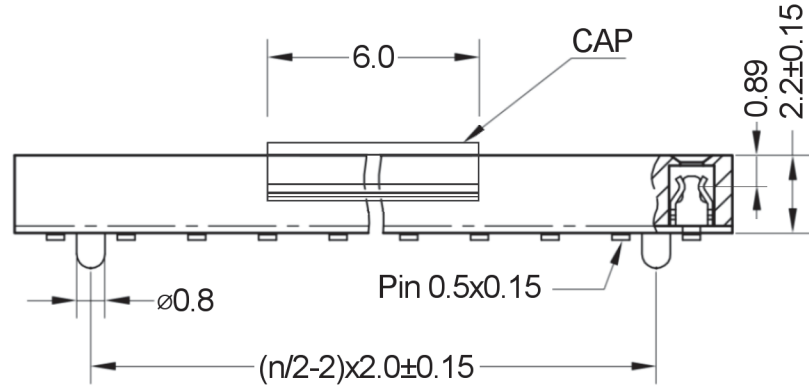


By appearing this data sheet previous are no longer valid. Dimensions are subject to change.

Copying of this document, and giving it to others and the use or communication of the contents thereof, are forbidden without express authority. Offenders are liable to the registration of a utility model or design.



Without Locating Pegs -00-

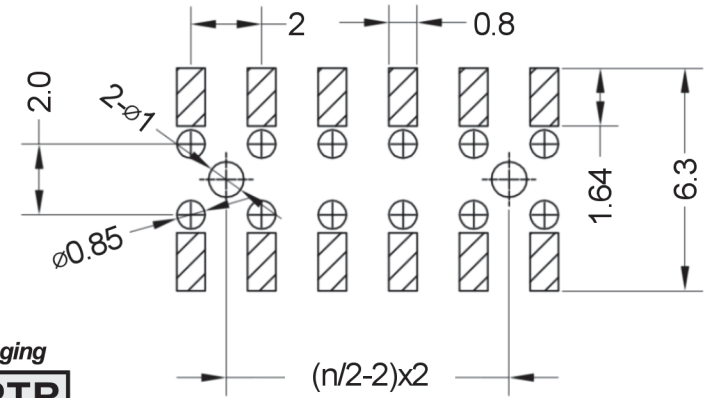


Locating Pegs -10-

**SPECIFICATIONS**

Rated Current:	1.5A
Contact Resistance:	20mΩ Max
Withstand Voltage:	500V AC/DC
Insulation Resistance:	1000MΩ Min
Operation Temperature:	-40°C to +105°C
Contact Material:	Phosphor Bronze
Contact Plating:	Au Over Ni
Insulator Material:	Thermoplastic, rated UL94 V-0
Max.Processing Temp:	230°C for 30-60 seconds (260°C for 10 seconds)

**Recommended PCB Layout (Top Side)**  
(PCB BOARD TOLERANCE ±0.05)



Mates with □0.50mm pin header

<b>46-7459</b>	<b>Contacts</b> <b>026</b> 004-080 Zweireihig Double row	<b>Plating</b> <b>00</b> 00 Vergoldet Gold plated	<b>Locating Pegs</b> <b>00</b> 00 Ohne Pos.hilfen W/o loc. pegs 10 Mit Pos.hilfen With loc. pegs	<b>Packaging</b> <b>MPTR</b> ST MPST MPTR
----------------	---	--	---	---

X.X	±0.30
X.XX	±0.20
X.XXX	±0.10
Angle	±3°
DIM	TOL



Serial Number <b>46-7459</b>			
Part Name Female Headers, 2.00mm Pitch, Vertical, Double Row			
Creation date 2019-02-28	Drawn AL	Approved PS	Approval date 2024-09-18
REACH (EG) Nr. 1907/2006 RoHS 2011/65/EU compliant		Scale %	Sheet %